

ARCHIVOS
DE LA
SOCIEDAD AMERICANA
DE
OFTALMOLOGIA Y OPTOMETRIA

SUMARIO

	Página
DEREK AINSLIE, M. D. REFRACTIVE KERATOPLASTY	91
JOSE I. BARRAQUER M., M. D. - HERNANDO HENZ, O. D. CALCULO DE LA QUERATOPLASTIA REFRACTIVA	103
HANS LITTMANN, Ph. D. THE OPTICS INVOLVED IN CORRECTING AMETROPIC EYES WITH THE AID OF KERATOMILEUSIS AND KERATOPHAKIA	165
HARTMUT WEBER, O. D. ANISEICONIA EN ESTRABISMO CON AUSENCIA DE CORRESPONDENCIA RETINAL	175
NOTICIAS	199

ARCHIVOS DE LA SOCIEDAD
AMERICANA DE OFTALMOLOGIA
Y OPTOMETRIA

INSTITUTO BARRAQUER DE AMERICA

ARCHIVOS
DE LA
SOCIEDAD AMERICANA
DE
OFTALMOLOGIA Y OPTOMETRIA

Vol. 8

1970

No. 2

SECRETARIO GENERAL Y DE REDACCION:

SALOMON REINOSO A., M. D.

APARTADO NACIONAL 700/2

BOGOTA - COLOMBIA

REFRACTIVE KERATOPLASTY*

By

DEREK AINSLIE, M. D.

LONDON - ENGLAND

It is difficult to present a contribution on refractive keratoplasty which is anything but dwarfed by the contributions already made by Dr. José Barraquer.

Dr. Barraquer was the originator of the technique and following years of experimental work, he has now had clinical experience of several hundreds of cases.

It is a result of my visits to his clinic in Bogotá that I have obtained almost all my knowledge of the techniques involved, and I would particularly like to thank him for all the time and all the care he took in showing me every detail of the procedures. It is the techniques that I learned from him that I have assiduously followed in my work in England. I think, therefore, that the most useful and informative line for me to take is to describe my own experiences and especially the problems I have encountered starting out in this field.

There are three stages in the operation: The keratectomy, the re-shaping of the disc, and the reconstruction of the cornea. Each of these stages will be considered separately.

(A) KERATECTOMY

Special instruments required

- (1) Serial Microkeratomes to cut discs from 0.25 millimetres to 0.60 millimetres in the thickness, and a set of some 12-18 suction fixation rings to enable a range of discs of different sizes to be obtained from any size of eye. (Figs. 1 and 2.)

* Lecture delivered at the V International ~~Conference on Refractive Keratoplasty~~
Barcelona. May 1969.



Figura No. 1

Suction ring holding excised eye. - (Note: the eye does not rest on the table)

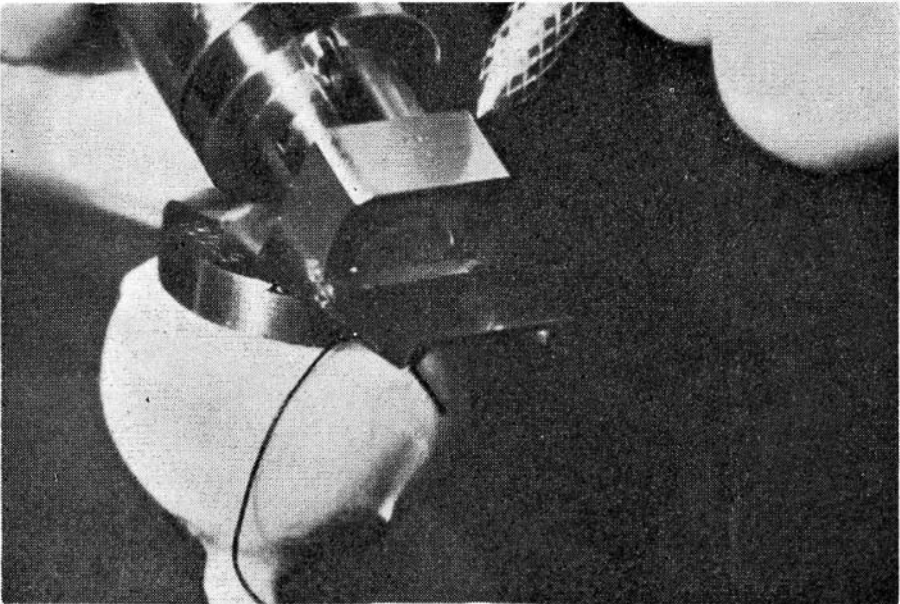


Figura No. 2

Microkeratome cutting disc. Clean cut disc edge visible.

REFRACTIVE KERATOPLASTY

- (2) A set of calibrated applanation lenses to gauge the size of the disc to be cut.
- (3) Applanation tonometer to check the intraocular pressure immediately prior to keratectomy.
- (4) An instrument for measuring accurately the thickness of the excised disc. (Fig. 3.)

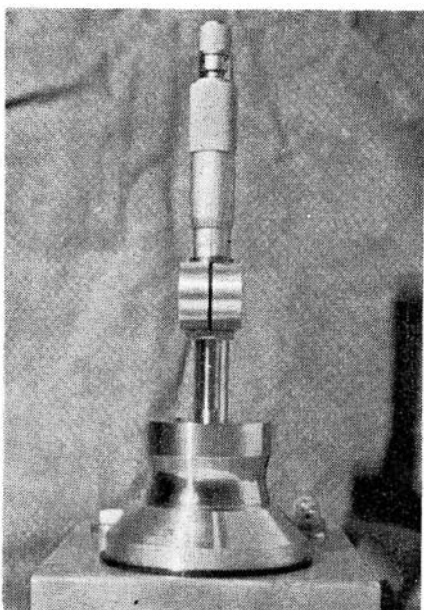


Figura No. 3

Thickness measure. Disc visible on base plate, weight on disc, micrometer plunger just touching.

The Use of the Microkeratome

The microkeratome will prepare a perfect disc with regularity provided the intraocular tension is sufficiently high at the time of cutting. The fixation rings themselves increase the intraocular pressure when the suction is applied, but this alone is insufficient. In addition a well-placed retro-ocular injection is required. In an adult at least 4mls. must be injected accurately into the muscle cone. With a little experience it is possible to gauge the amount of retro-ocular injection required by observing the extent of the resulting proptosis. It is essential that all the fluid enters the retro-ocular

muscle cone as, should any fluid escape outside, chemosis will occur. Should this happen, the conjunctiva must be dissected close to the limbus to expose the sclera in the region which will be under the aperture for the suction tube which enters the fixation ring. If this is done, the operation can usually continue safely without fear of suction being lost during the keratectomy.

Although operating upon excised cadaver eyes is not identical with operating upon a patient, it is essential to practice many keratectomies in the cadaver before performing an operation on a patient. Only in this way can be learned the smooth advance of the microkeratome so necessary for an even section. Furthermore, the microkeratome keratectomy on a cadaver eye is an integral part of the operation for keratophakia where a homoplastic disc is required.

During practice, the cadaver eye should be held aloft by the suction of the ring alone, and not pressed on to the table. (Figs. 1 and 2). In this way the feel of operating upon the actual eye is more nearly achieved. When obtaining donor cornea for the carving of the lenticulus during the operation for keratophakia, however, the eye is always steadied upon the table.

Determining the size of the Keratectomy

This is performed by the application of the special calibrated applanation lens. These lenses are so constructed in relation to the microkeratome, that the area applanated corresponds exactly with the area of the keratectomy. The importance of drying the cornea completely before applanation is paramount, as otherwise a meniscus of fluid will form and lead to an over large reading and the cutting of too small a disc.

Dr. Barraquer has pointed out that the reading is more easily made when the applanation lens is cold, as the non-applanated area shows up in greater contrast since its surface appears steamy. This I have found to be of tremendous value and the lens is placed over a little ice bowl prior to use.

Checking the Thickness of the Disc.

The most accurate method I have found is by the thickness measure, designed, by Dra. Amida Saiduzzafar of the Institute of Ophthalmology, London, for measuring tissue thicknesses. The features of such an instrument, modified for use in the operating room, are well shown in the accompanying figure. (Fig. 3).

REFRACTIVE KERATOPLASTY

The disc to be measured is placed in the centre of the ring scribed on the stainless steel base. A very light weight is placed on the disc and the plunger screwed down by the micrometer. Immediately contact is made, and before any pressure has been exerted, the neon bulb illuminates. This method is very reliable and it is essential in research work into the thickness of corneal discs. Either the general thickness of the disc or the thickness of individual parts can be measured by selecting a weight of appropriate design.

I have carefully checked the results of measuring the general thickness of discs with the Saiduzzafar measure against the results obtained using a light dial gauge. The dial gauge has an accuracy greater than plus or minus 0.02 millimetres and its use is entirely satisfactory for the quick check of the disc thickness required during operation.

(B) RESHAPING OF THE CORNEAL DISC

Special instrument required.

A turning apparatus which consists of a lathe of the type used for corneal lens work and fitted with suitable freezing equipment.

My equipment is the same as Dr. Barraquer's except that the freezing is effected by the expansion of gaseous carbon dioxide rather than the volatilisation of the liquid. The freezing equipment is in fact identical with the Amoils cryo-probe, but on a larger scale. (Fig. 4.) Freezing takes place slightly more slowly by this method but produces very good fixation of the disc which is well frozen and cuts cleanly. (Fig. 5).

If a Dellrin base is used, freezing takes place in about thirty seconds from the opening of the gas tap, but cutting is not started until 90 seconds after the tap is opened, to be perfectly sure of complete solidity and firm adherence. The cutting tool is cooled during the last thirty seconds before cutting the disc.

Freezing and Turning the Disc

Once the lathe has been set, the turning process presents no difficulty. Great care must be taken with the centering on the base and also perfect apposition of disc to base must be obtained. The freezing process causes a slight thickening of the centre of the disc but much more important is

DEREK AINSLIE

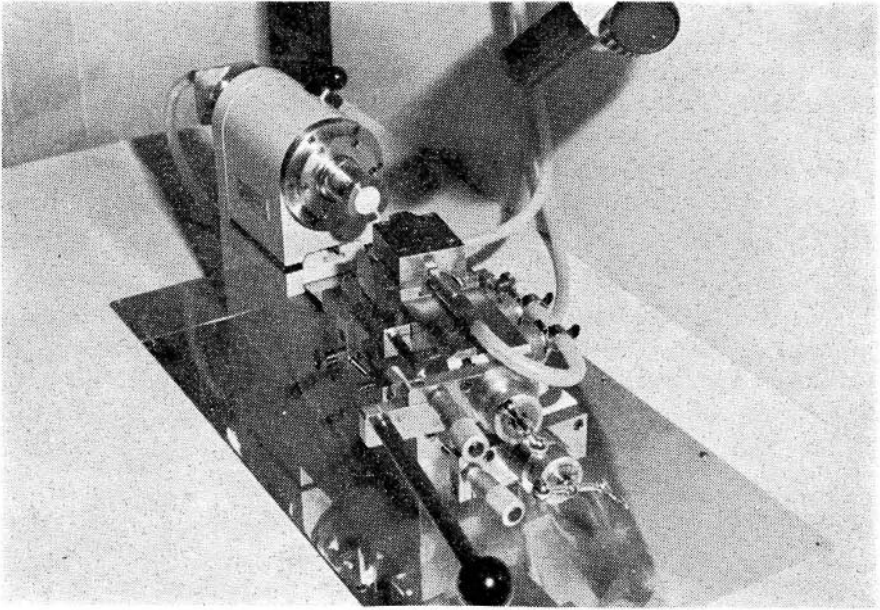


Figura No. 4

Late. Carbón dioxide gas enters by fine central tube, returns by larger tube around it.

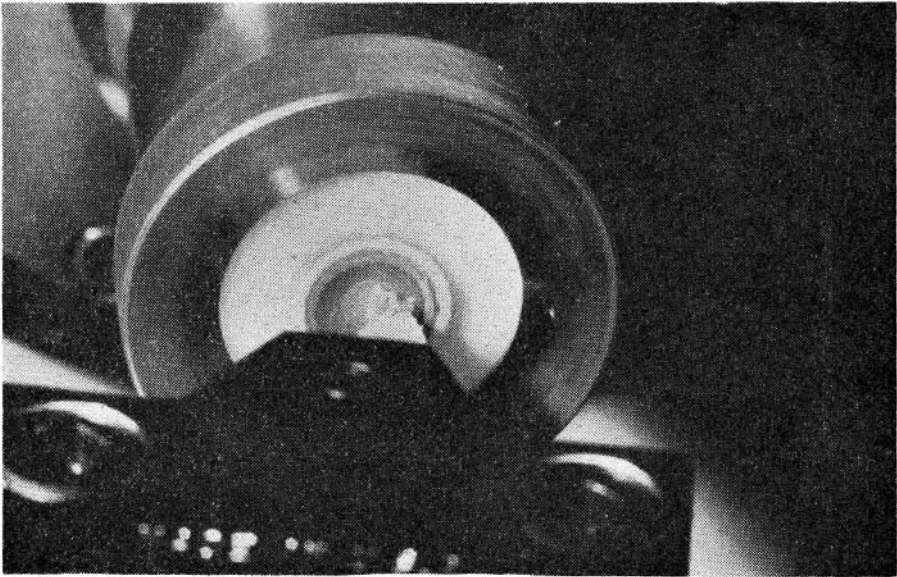


Figura No. 5

Cutting for the correction of myopia.

REFRACTIVE KERATOPLASTY

the overall contraction of the diameter of the disc which occurs on freezing. This is a consistent and considerable feature. The optical zone contracts in size so that the radius cut when the disc is frozen will become greater when unfreezing occurs. This factor leads to under-correction in keratomileusis for myopia and also in keratophakia. (Figs. 6 and 7. These two pictures and Fig. 8, were all taken from exactly the same angle and have the same magnification.)

This reduction in the disc diameter appears to be a major factor compared with the slight thickening of the centre of the disc, though in the correction of myopia, the two effects counteract each other to some extent. It is necessary to make a correction in the radius of turn to allow for the reduced chord diameter of the optical zone in the frozen state. Although after this correction the curve cut in the frozen state will be too steep, on unfreezing it will flatten out to the correct radius. (Fig. 8).

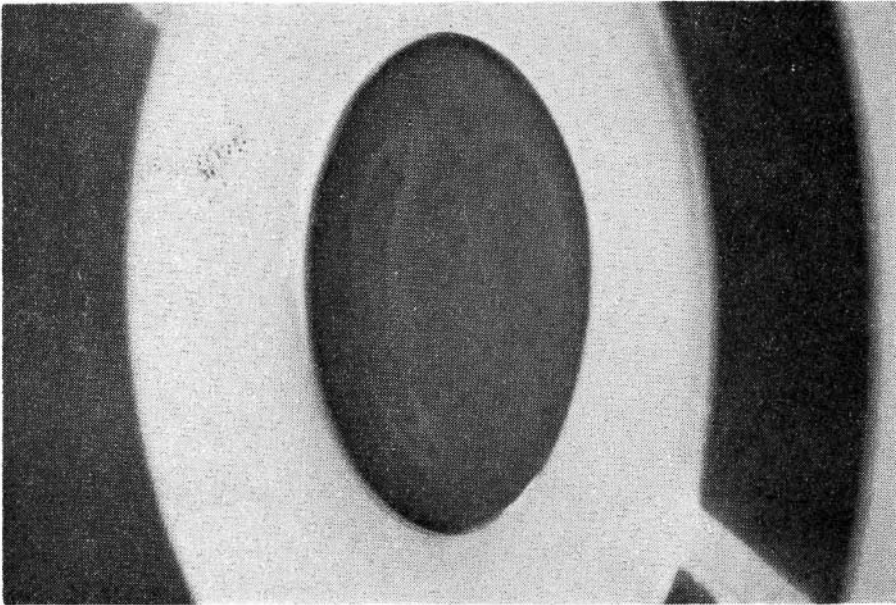


Figura No. 6

Corneal disc in position on lathe base prior to freezing. Base diameter 8 millimetres, disc diameter 8 millimetres.

At the present we are carrying out numerous measurements on discs cut from cadaver eyes in order to try to determine how constant is the change in shape which occurs on freezing. It is not possible at this stage to provide

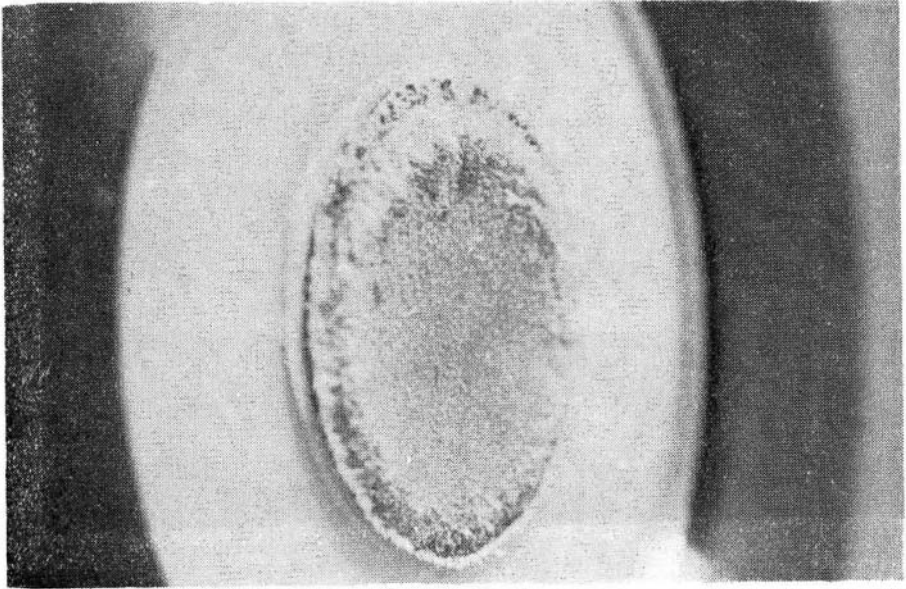


Figura No. 7

Disc frozen. Note reduction in diameter in relation to diameter of central button.

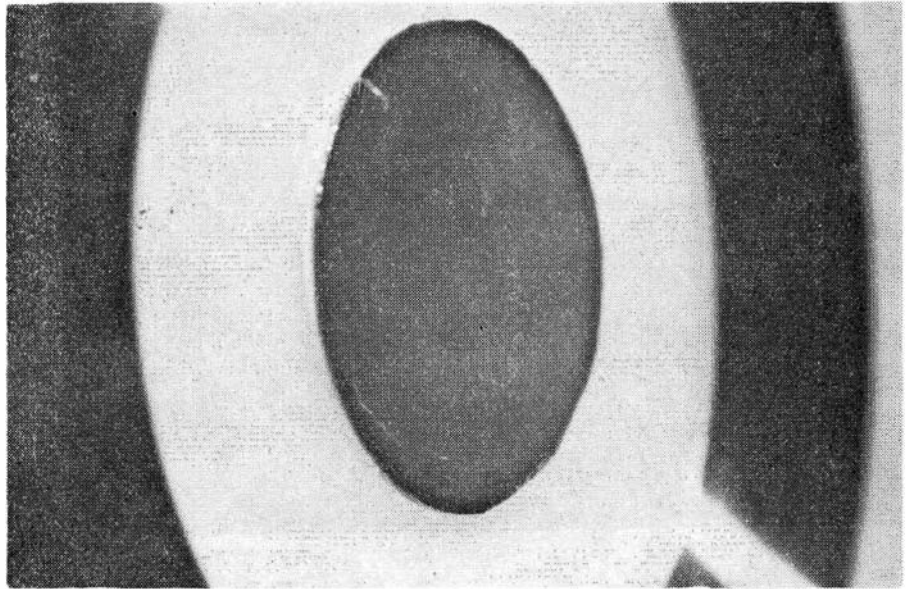


Figura No. 8

Disc unfrozen and remoistened. Note disc has returned to original size. This disc has not been cut on the lathe.

REFRACTIVE KERATOPLASTY

an accurate assessment, but it is our impression that individual corneal discs behave in a surprisingly similar manner.

The overall contraction of an eight millimetre disc is about 0.4 mm., but it is doubtful if this can be considered in simple linear terms. That a modification of the radius of turn along the lines discussed is helpful, appears to be borne out by early clinical results. The first few cases of keratomileusis for myopia, when no modification was made were considerably under-corrected. In subsequent cases I have corrected on the basis of a reduction in cord diameter of an optical zone of 6 millimetres to 5.7 millimeters on freezing. This has led to a great increase in the accuracy of correction achieved.

In keratophakia, before carving the lenticulus, it is necessary to take into account not only the above factors, but also the thickening of the disc of cadaver material resulting from post mortem oedema. In the frozen state, the centre thickness of the carved lenticulus must often be as much as twice the final thickness required.

(C) RECONSTRUCTION

Fine well curved cutting needles and 10/0 perlon required.
No special instruments.

(a) Keratomileusis

After unfreezing the disc, it is carefully replaced on the cornea and sutured with four perlon 10/0 stitches. Great care must be taken not to damage the disc as minimal damage leads to marked scarring in tissue that has been frozen.

In the earliest cases I used silk sutures, but this leaves a considerable permanent opacity. With perlon, the resulting nebula is very slight.

Following the initial suturing, a conjunctival flap, as described by Dr. Barraquer, has been used in all cases.

(b) Keratophakia

In keratophakia used for the correction of aphakia, a small convex corneal lenticulus is inserted into the corneal substantia propria. A disc of the patient's cornea is excised exactly as for keratomileusis, but it is replaced immediately and sutured in position with continuous perlon. The

DEREK AINSLIE

ends of this continuous suture are, however, left untied. A disc of homoplastic cornea is obtained with the microkeratome and the lenticulus cut. The lenticulus is now slipped between the disc and the remaining part of the cornea. After careful centering of the lenticulus, the perlon suture is tied. Again, great care must be taken not to injure the lenticulus.

Undoubtedly, the most important part of the operation is the centering of the corneal lenticulus. Although accurate placement of the lenticulus is important, its final situation will be determined by the accuracy of the positioning of the excised disc of the host cornea. This in turn depends upon the accurate positioning of the fixation ring and the continuous perlon suture.

DISCUSSION

It is now nearly two years since my first visit to Bogotá. It took over a year to get the equipment together and assembled in perfect working order and it was necessary to follow this with many months of practice both with the microkeratome and the lathe, using cadaver eyes.

At the date of writing this article, (December 1968), I have had experience of actual operations for about six months. It has been necessary to proceed slowly, selecting cases only with absolute indications. Cases have been very carefully selected and have all been of high anisometropia. They have been cases in which there was hope of improvement in visual performance but where other means of correction for one reason or another had already failed.

All the cases of keratomileusis for myopia have from a technical point of view succeeded perfectly without any untoward occurrence. There has in every case, been uneventful healing, a clean clear interface, perfect view of the fundus and an improvement in unaided visual acuity.

Furthermore, at the end of three months in no case of keratomileusis has the visual acuity **either corrected or uncorrected**, been lower than before the operation.

The first three cases were under-corrected by three to four diopters, but the more recent ones have been more accurate as a result, I think, of incorporating the correction in the radius of turn as mentioned in a previous section.

REFRACTIVE KERATOPLASTY

Only three cases of keratophakia have so far been performed (December, 1968). Two have been very successful and have had no serious complications. One of these developed transient superficial punctate epithelial erosions which cleared entirely in ten days. There has been very satisfactory reduction in the anisometropia, in one case from plus 13 to plus 1, and in the other from plus 12 to plus 2.

The third case also has good correction from plus 14 to plus 2, as estimated on the keratomer, but has developed a diffuse nebula in the anterior disc and at the anterior interface between the disc and the anterior surface of the lenticulus. The disc itself and the deeper interface are clear. This is the only case so far of either keratomileusis or keratophakia in which the visual acuity is less than before the operation. The vision at the last test was 6/60 with plus 2.00 DS/plus 1.00 cyl. ax. 55 degrees, as opposed to 6/36 with a plus 14.000 D. Sphere before the operation. It is now three months since this operation. The most likely explanation of the nebula formation is that the disc was cut too thin, leading to poor nutrition of this anterior lamellar during healing.

The two successful cases had discs of over 0.3 millimetres, while in this case it was 0.22.

It would be unwise to attempt to draw any firm conclusions at so early a stage: my experiences in this new field of surgery. Nevertheless, added to the many successful results of Dr. José Barraquer, I think they constitute a further pointer to the value of the procedure. I hope, therefore, that this presentation will be of help to other beginners in this field and also stimulate further discussion among interested parties at the symposium in Barcelona in May. Pictures showing technical points and results will be shown at the Symposium.

ACKNOWLEDGEMENTS

I would like to thank the Governors of Moorfields Eye Hospital for the allocation of funds for the project and also the Medical Research Council and Wellcome Foundation for additional financial support.

I am also greatly indebted to Dr. Nicholas Brown of Moorfields Eye Hospital who was responsible for the photography.

CALCULO DE LA QUERATOPLASTIA REFRACTIVA

Por

JOSE I. BARRAQUER M., M. D.

Bogotá, Colombia

- I Introducción
- II Terminología
- III Antecedentes
- IV Generalidades
- V Cálculo de la Queratomileusis
- VI Obtención del valor de Rt por Transposición Sagital
- VII Cálculo de la Queratofaquia
- VIII Incrementos
- IX Contracción de la zona óptica
- X Cálculo de lenticulos para ser obtenidos con Microqueratomo
- XI Cálculo pre-operatorio
- XII Comprobación de Resultados
- XIII Conclusiones

I — INTRODUCCION

Los cálculos matemáticos, en Queratoplastia Refractiva, en cualquiera de sus formas y técnicas, deben hacerse totalmente exactos hasta que la experiencia nos demuestre el grado de aproximación en la corrección que permitan las condiciones biológicas del globo ocular, técnicas quirúrgicas y datos suministrados por la exploración. Una vez conocida la magnitud de la desviación del cálculo exacto, podrán elaborarse tablas simplificadas que permitan un cálculo fácil dentro del límite de error que la experiencia habrá mostrado como inevitable.

Mientras tanto, debemos realizar los cálculos con la mayor aproximación posible, en todos los casos, para poder apreciar y valorar convenientemente el grado de acción del acto quirúrgico y de la respuesta biológica. Estos cálculos que manualmente serían sumamente largos, se simplifican considerablemente con el uso de Tablas, de una calculadora electrónica o mejor de un computador.

Por otra parte, dados los grandes adelantos de la Cibernética, es fácil imaginar un Ordenador (Computador) conectado al torno, y el cual, al suministrarle unos pocos datos, realiza automáticamente los cálculos, correcciones, regulación y talla en pocos segundos. Ya hoy en día esto es perfectamente realizable. Llevarlo a cabo es cuestión económica.

En este trabajo solamente nos ocuparemos del cálculo para la corrección esférica, por medio de la Queratomileusis y de la hipermetropía por Quera tofaquía.

II — TABLA DE SIMBOLOS EMPLEADOS
EN EL CALCULO DE LA QUERATOPLASTIA REFRACTIVA

Símbolos	Significado	Observaciones
a	Longitud inicial del arco	
a'	Longitud final del arco	
Alfa	Angulo de la herramienta con relación al eje de rotación para obtener Zo	
C	Contracción	
Cb	Contracción de la base por acción del frío	
Cd	Contracción del Disco Corneal	
Ch	Contracción de la herramienta	
Gzo	Contracción de la zona óptica	$Czo = \frac{Cd. Zo}{Dd.}$
D	Dioptrias	
Da	Dioptrias cara anterior de la córnea meridiano menos refringente	
Da'	Dioptrias cara anterior de la córnea meridiano más refringente	
Da		
Db	Diámetro de la base	

Dc	Dioptrias, corrección
Dca	Dioptrias, cara anterior del Lenticulo
Dcp	Dioptrias, cara posterior del Lenticulo
Dd.	Diámetro del disco de tejido corneal
Df	Dioptrias finales que debe adquirir la superficie anterior de la córnea para corregir Dc. $n = 1,376$
Dft	Dioptrias finales de la córnea, meridiano más plano, lado objeto, post-operatorias
Dft'	Dioptrias finales de la córnea, meridiano más curvo, lado objeto, post-operatorias
Di	Dioptrias iniciales de la superficie anterior de la córnea
Dit	Dioptrias totales de la córnea, meridiano más plano. lado objeto (pre-operatorias)
Dit'	Dioptrias totales, lado objeto, de la córnea meridiano más curvo. (Pre-operatorias)
E	Espesor
Eb	Espesor del tejido remanente en el borde de un Lenticulo
Eb'	Espesor del tejido remanente en el borde de un Lenticulo congelado
Ec	Espesor remanente en el centro del Lenticulo (Queratomileusis)

Examen del paciente

$$Df = Di + Dc \text{ u otras.}$$

$$Di = \frac{376}{Ri} \text{ o Tablas}$$

$$Ec = Ed - Er$$

Ec'	Espesor que debe dejarse en el Centro (Corrección Miopías) en la córnea congelada para obtener Ec.	$Ec' = Ed' - Er'$
Eca	Espesor Corneal Aparente	
Ecr	Espesor Corneal Real	
Ed	Espesor del Disco de tejido corneal	Medición per-operatoria
Ed'	Espesor del Disco de tejido congelado	Medición
Edd	Espesor del Disco Dador	Medición
Edd'	Espesor del Disco Dador congelado	Medición
Ef	Espesor final de la córnea intervenida	
Ei	Espesor inicial de la córnea	
El	Espesor del Lenticulo. (Queratofaquia)	Cálculo
El'	Espesor del Lenticulo congelado	$El' = \frac{Edd' \cdot Ei}{Edd}$
Er	Espesor de la Resección	
Er'	Espesor necesario en la Resección en tejido congelado	$Er' = \frac{Ed' \cdot Er}{Ed}$
K. M.	Queratomileusis	
K. F.	Queratofaquia	

n	Indice de refracción del primer medio refrigente
n'	Indice de refracción del segundo medio refrigente
n''	Indice de refracción del tercer medio refrigente
R	Radio
Ra	Radio más plano de la superficie anterior de la córnea
Ra'	Radio más curvo de la superficie anterior de la córnea
Rad	Primer radio de la superficie anterior de la córnea Dadora
Rad'	Segundo radio de la superficie anterior de la córnea Dadora
Rb	Radio a que ha sido tallada la base
Re	Radio de la entrecara
Rf	Radio final, post-operatorio que debe adquirir la córnea
Ri	Radio inicial de la superficie anterior de la córnea para los cálculos esféricos
Rid	Radio inicial de la superficie anterior de la córnea Dadora

$$Re = Ri - Ed.$$

376

$$Rf = \frac{\quad}{Df} \text{ o Tablas}$$

Ri es igual a Ra o Ra', según el caso, o a

$$Ri = \frac{Ra + Ra'}{\quad}$$

Rp	Radio más plano de la superficie corneal posterior	
Rp'	Radio más curvo de la superficie corneal posterior	
Rpa	Radio aparente más plano de la superficie posterior de la córnea	
Rpa'	Radio aparente más curvo de la superficie posterior de la córnea	
Rsp	Radio de la superficie posterior del disco corneal, adaptado a Rf.	$Rsp = Rf - Ed$
Rsp'	Radio de la superficie posterior del disco corneal, adaptado a Rb y congelado	$Rsp' = Rb - Ed'$
Rt	Radio de talla	
Rt'	Radio de talla que debe seleccionarse en el torno para obtener Rt en el Lenticulo	$Rt' = Rt + Ch.$
S	Ságita, o flecha	
S (Zo)	Ságita de la cuerda Zo	
S (Zo) Re	Ságita de un arco, radio Re, cuerda Zo. Igualmente para otros radios usados	
Zo	Zona Optica. Diámetro de la resección. Diámetro del Lenticulo en Queratofaquias.	Estimativo
Zoi	Zona Optica Inicial	Oftalmometría Topográfica.

III — ANTECEDENTES

El primer intento para determinar la forma que debe adquirir la córnea para corregir determinada ametropía, por métodos quirúrgicos, fue realizado en 1948 (1) y estaba basado en la fórmula:

$$Df = Di + Dc \quad (1)$$

$$y \quad Rf = \frac{n' - n}{Di + Dc} \times 1.000 \quad (2)$$

El grado de acción quirúrgica, resección o adición anular de tejido, se computaba calculando la diferencia entre la longitud de arco a y correspondiente a Ri y Rf, con la fórmula:

$$\Delta a = \text{Alfa} \frac{2 Ri}{360} - \text{Alfa} \frac{2 Rf}{360} \quad (3)$$

Esta fórmula, hoy se utiliza para el cálculo de resecciones semilunares y del deslizamiento de los bordes en queratofaquia.

En 1958 (2) al practicar injertos laminares refractivos e inclusiones interlaminares, nos basamos en la fórmula clásica:

$$D = \frac{n' - n}{R} \times 1.000 \quad (4)$$

$$R = \frac{n' - n}{D} \times 1.000 \quad (5)$$

$$(n' - n) = \frac{R \times D}{1.000} \quad (6)$$

QUERATOPLASTIA REFRACTIVA

Con el transcurso de los años, han ido variando los símbolos empleados para designar parámetros en Queratoplastia Refractiva. En este trabajo utilizaremos en todos los casos la nomenclatura más reciente, para mejor comprensión y comparación.

$$R_t = \frac{n' - n}{D_i - D_c} \times 1.000 \quad (7)$$

Para conocer el radio de Talla R_t al emplear una base con $R_b = R_i$, y la fórmula:

$$R_f = \frac{n' - n}{D_i + D_c} \times 1.000 \quad (8)$$

Usando $R_b = R_f$, en cuyo caso $R_t = R_e$. Teniendo ya en cuenta las modificaciones volumétricas inducidas por la preservación y congelación.

El valor dióptrico de los lenticulos D_l (3) se calculaba por la fórmula simplificada:

$$D_l = D_{ca} + D_{cp} \quad (9)$$

utilizando como valor D_{cp} el de una curva paralela a la tallada, en el lugar en que la lente no tiene espesor.

Los valores E_r y E_l se determinaban por el cálculo sagital, o mediante un dibujo a escala 100 x 1.

En 1964 publicamos unas tablas (4) para facilitar el cálculo de R_t utilizando la fórmula 4 y hallar R_f con la fórmula 5 utilizando como valor de n' el comúnmente usado en los oftalmómetros de uso clásico.

También unas tablas de valores sagitales, para diferentes valores de Z_o , y de R de 0.25 dioptrias en 0.25 con un valor de $n' = 1.332$.

En 1966 ampliamos dichas tablas (5) para poder realizar los cálculos con $n' = 1,376$ y otras para determinar el valor de R_i con oftalmómetros que utilizan diverso índice de refracción así como una ampliación de las tablas de valores sagitales y de valores de ángulo Alfa, para determinar en el torno el diámetro de un lenticulo o zona óptica.

En 1966, Hans Littmann (6) desarrolla una fórmula para conocer el radio exacto que debe adquirir la superficie anterior de la córnea para corregir una ametropía dada:

$$R_f = \frac{R_i}{\frac{R_i \cdot D_c}{376} + 1} - 0.273 (E_i - E_f) \quad (10)$$

En 1966, Milton Kaplan (7) publica su trabajo "Refractive Keratoplasty Vergence Calculations" y elabora unas tablas que permiten conocer el valor de R_f por transposición sagital. En 1967 el mismo autor (8) hace un interesante estudio para determinar la modificación refractiva inducida por la incurvación del lenticulo cuando se adapta sobre un lecho de curva diferente a la de su superficie posterior, hallando que el valor de la modificación es muy poco significativo.

Del estudio de estos trabajos, se desprende que los autores que se han ocupado del tema están de acuerdo sobre la conveniencia de conocer el valor R_f como punto de partida para el cálculo, presumiendo como única modificación, la del radio de curvatura de la superficie anterior de la córnea y de su espesor, y permaneciendo invariables los otros parámetros que condicionan la refracción del globo ocular

Las variaciones en el valor de R_f obtenido, utilizando uno u otro método son mínimas, y menores que los errores procedentes de la exploración clínica para la determinación de los parámetros pre-operatorios, y del acto quirúrgico.

La fórmula de Littmann proporciona el valor exacto de R_f , y debe emplearse siempre que se desee cotejar la exactitud de un método, o un computador para el cálculo.

El método de Kaplan está sujeto a errores de lectura en las tablas, especialmente si deben emplearse valores intermedios. Estas tablas son particularmente útiles en Queratofaquia y Queratomileusis cuando la talla óptica se realiza exclusivamente con Microqueratomo o haciendo el cálculo de la corrección directamente por el espesor de E_r o E_l .

El procedimiento del autor, fórmula 1, es el más simple para determinar el valor de R_f con una aproximación suficiente para las necesidades clínicas, máxime si tenemos en cuenta que los errores en la determinación de R_i y D_c

QUERATOPLASTIA REFRACTIVA

son en todos los casos superiores al de la fórmula, dadas las características intrínsecas de los métodos e instrumentos empleados para su determinación.

$$Df = Di + Dc \text{ de donde } Rf = \frac{376}{Di + Dc}$$

o sea $Rf = \frac{376}{\frac{376}{Ri} + Di}$ (11)

En la siguiente tabla pueden apreciarse los valores comparativos de Rf y Df calculados de acuerdo con Littmann y Barraquer.

TABLA I
VALORES OBTENIDOS CON LA FORMULA DE LITTMANN
Y LA DE BARRAQUER

Rf para Dc	Ri = 7,000 m.m.		Ri = 8,000 m.m.	
	LITTMANN	BARRAQUER	LITTMANN	BARRAQUER
— 5	7,698	7,718	8,931	8,952
— 10	8,560	8,601	10,121	10,162
— 20	11,071	11,153	13,844	13,926
+ 5	6,424	6,404	7,251	7,231
+ 10	5,942	5,901	6,596	6,637
+ 20	5,183	5,101	5,694	5,612

Por consiguiente, al utilizar tablas o una calculadora manual aconsejamos emplear como más simple y menos sujeta a errores, por su misma simplicidad, la fórmula 1 deduciendo el valor de Rf, mediante las tablas: n = 1,376 o aplicando la fórmula 5, o sea:

$$Rf = \frac{376}{Df}$$

JOSE I. BARRAQUER M.

Para la elaboración de la Tabla I, con la fórmula de Littmann se ha considerado: $E = Dc \times 0,015$, valor éste muy aproximado al real. Vemos que la diferencia en los resultados, aplicando el método simplificado o la fórmula completa, es constante, por lo tanto, la fórmula simplificada puede mejorarse si adicionamos al valor de R_t el de esta constante, o sea: $0,004095 \times Dc$.

En la Tabla II, vemos comparativamente los resultados de emplear la fórmula simplificada, + $(0,004095 \times Dc)$ con la de Littmann empleando el valor real de E_l y E_r .

TABLA II

VALORES DE R_f COMPARATIVOS DE LOS RESULTADOS ENTRE LA FORMULA DE LITTMANN Y LA DE BARRAQUER COMPENSADA

Dc	Ri = 7,700 m. m.	
	LITTMANN	BARRAQUER Compensada
— 5	8.558918	8.557895
— 10	9.6445242	9.641993
— 15	11.0570665	11.052586
+ 5	7.004790	7.005275
+ 10	6.431743	6.432119
+ 15	5.952358	5.951964

Con lo que la fórmula simplificada queda:

$$R_f = \frac{376}{Df} + (0,004095 \times Dc) \quad (13)$$

IV — GENERALIDADES PARA EL CALCULO DE LA
QUERATOMILEUSIS Y QUERATOFAQUIA

A) **Queratomileusis**

Conocido el radio R_f que debe adquirir la córnea para corregir la ametropía D_c , se talla una base o molde a R_f . Sobre él se coloca por su lado epitelial el disco de tejido corneal que debe tallarse y el cual se adaptará a R_f , primero por capilaridad y luego por congelación.

Tenemos ya la curvatura de la cara epitelial de la córnea modificada a R_f y con el fin de que esta modificación persista al reponer el lenticulo, debe tallarse su cara parenquimatosa al radio del lecho o sea, la superficie corneal que ha quedado al descubierto por la resección del disco corneal. Este radio R_e , es igual al radio inicial R_i , de la córnea a intervenir, reducido en el espesor del disco resecaado E_d o sea:

$$R_e = R_i - E_d$$

$$\text{y } R_e = R_t$$

B) **Queratofaquia**

Para comprender el cálculo, debemos imaginar el disco corneal resecaado incurvado a R_f y tocando por sus bordes el lecho de la córnea intervenida. Lógicamente queda entre los dos un espacio vacío cuya forma y dimensiones son exactamente las que debe tener el lente de tejido corneal que debe incluirse. (Fig. 1).

Por consiguiente, la superficie anterior del lenticulo tendrá el radio de la superficie posterior del disco corneal, adaptado a R_f , o sea:

$$R_{sp} = R_f - E_d.$$

El radio de la superficie posterior del lenticulo será R_e , siendo $R_e = R_i - E_d$.

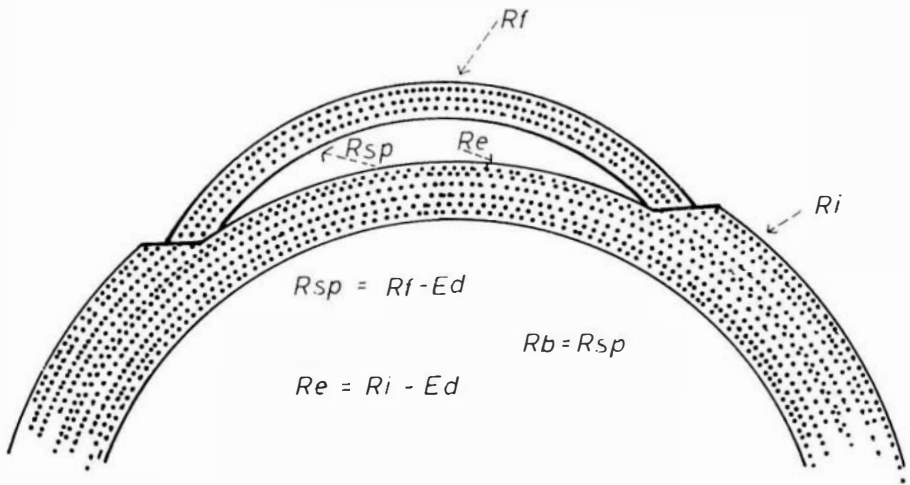


Figura No. 1

Disco corneal adaptado a R_f . Obsérvese el espacio vacío y el deslizamiento de los bordes.

V — CALCULO DE LA QUERATOMILEUSIS

Los datos iniciales para el cálculo los proporciona la exploración del paciente y son recogidos en una hoja impresa adecuada, (figs. 2-3) en la que no solo figuran los datos indispensables para el cálculo de la talla óptica, sino también otros que lo serán para la evaluación post-operatoria del resultado.

No entraremos a analizar los métodos de examen ni la valoración de los datos suministrados por la exploración, para ello remitimos al lector a publicaciones anteriores (9).

La estimación de los parámetros que deberemos utilizar, depende de múltiples factores y solo la experiencia podrá indicarnos, cuáles son más adecuados para un caso determinado.

El valor de Dc depende no solo de las posibilidades quirúrgicas, sino también del estado refractivo del otro ojo o de la magnitud de la Aniseiconia.

El valor de Ri depende de si utilizamos el promedio aritmético:

$$Ri = \frac{Ra + Ra'}{2}, \text{ o hacemos el cálculo sobre el meridiano más amétrope.}$$

En este caso $Ri = Ra$
o $Ri = Ra'$

En la exposición de este tema consideramos en primer lugar los cálculos necesarios para la corrección esférica de una ametropía miópica e hipermetrópica. A continuación estudiaremos la determinación de Re por transposición sagital y finalmente el cálculo per-operatorio para evitar errores debidos a la variación de los parámetros pre-operatorios durante el acto quirúrgico. Los ejemplos prácticos serán útiles para facilitar la comprensión.

EXPLORACION PARA CIRUGIA REFRACTIVA

Fecha	Por:	No.				
Refracción a 12 m. m.	D	V				
	I	V				
Visión Próxima sin corrección	D	I				
Equivalente Esferico	D	En Vertice D				
	I	I				
Aniseiconia						
Queratometría	(n)	D I				
Diámetro Corneal	D V	H				
	I V	H				
Ojo a Intervenir: _____ Fijación						
D						
Queratometría para cálculo	Ri					
Espesor	Tensión Ocular					
Transparencia	Sensibilidad					
Longitud anteroposterior	Radio Escleral					
Fondo						
Topografía Corneal						
H.	5	3	1	1	3	5
	4	2	0	2	4	-----
V.	5	3	1	1	3	5
	4	2	0	2	4	interior.

CH 2247

Figura No. 2
Hoja de Exploración, para Queratoplastia Refractiva.

QUERATOPLASTIA REFRACTIVA

C A L C U L O

Fecha

por

No.

Ojo:		
Corrección	D	
Querato. (1,367)	Di	Ri
Curva Final	Df	Rf
Modificación	R	ΔR
Espesor del disco	Ed	Zo
Re = Ri - Ed =		S
Rsp = Rf - Ed =		S
Er (K.M.) o El (K.F.) =		ΔS
K. M. (Miop) Ec = Ed - Er =		
(Hip) Eb = Ed - Er =		
Cb =	Ch =	
Rt' =		
<u>Regulación del Torno</u>		
Base: Diámetro		Material
Radio Rb		Tallado en
Radio Talla Rt'		
K. M. Avance (Miop) $\Delta R - Ec + C =$		
Retro. (Hiper) $\Delta R + Ed - C =$		
Retro. (Astig) $\Delta Ec - C =$		
K. F. Avance (Miop) $\Delta R - El' + C =$		
Retro (Hiper) $\Delta R + El' - C =$		
Angulo Alfa =		
<u>DATOS INTERVENCION</u>		
Lente Aplanación		Microqueratomo
Anillo Neumático		
Solución Preservadora		
Observaciones:		

Figura No. 3

Hoja para Cálculo Preoperatorio.

CORRECCION ESFERICA:

A) **Miopia**

Supongamos un ojo amétrope -- 10,00 esf. — 1,00 cil x 180 a 12 m. m. del vértice corneal y lectura oftalmométrica (Oftalmometro $n' = 1,332$) 43,50 x 180 — 44,50 x 90.

Haremos el cálculo sobre el meridiano más amétrope, o sea, el de — 11,00 dioptrías de refracción y 44,50 en córnea.

PRIMERA PARTE

1º **Determinación de Dc:**

Para conocer el valor de Dc (corrección en vértice corneal) aplicaremos la fórmula:

$$C_v = \frac{C_x}{1 - (x \cdot C_x)} \quad (14)$$

en la que: C_v es la corrección en vértice corneal.

C_x es la corrección a x distancia del vértice corneal.

x es la distancia de la corrección al vértice corneal, expresada en metros.

O sea:

$$\begin{aligned} D_c = C_v &= \frac{-11,00}{1 - (0,012 \cdot -11,00)} = \frac{-11,00}{1 - (-0,132)} \\ &= \frac{-11,00}{1 + 0,132} = \frac{-11,00}{1,132} = 9,717 \text{ dioptrías} \end{aligned}$$

Consultando las tablas adecuadas (10) o una regla de las diseñadas para efectuar este cálculo, obtendremos más fácilmente el mismo resultado, o sea: — 9,75 dioptrías en práctica. $D_c = -9,75$ dioptrías.

QUERATOPLASTIA REFRACTIVA

2º Determinación de Di y Ri:

Para los cálculos de Q. R. debemos trabajar siempre con el índice de refracción de la córnea o sea: $n' = 1,376$ y con este índice deben expresarse los valores de Di y Df.

El valor de Di podría ser suministrado directamente por la lectura oftalmométrica si los instrumentos clínicos estuviesen calibrados con índice de refracción 1,376.*

Si el instrumento usado proporciona una lectura suficientemente precisa del radio Ra', o sea, dos decimales por lo menos, partiendo de Ra' podemos determinar el valor de Di:

$$Di = \frac{n' - n}{Ra'} \times 1.000 = \frac{1,376 - 1,000}{Ra'} \times 1.000 = \frac{376}{7,46067} = 50,3976 \text{ Dpt}$$

$$Di = 50,398 \text{ dioptrías.}$$

En caso contrario debemos determinar el valor de Ra' con la fórmula:

$$Ra' = \frac{n - n'}{Da'} \times 1.000 = \frac{1,332 - 1,000}{44,50} \times 1.000 = \frac{332}{44,50} = 7,460 = Ri$$

fórmula en que $n' = 1,332$ es el índice de refracción utilizado por el oftalmómetro empleado.

Si el índice de refracción utilizado en el aparato en cuestión es desconocido podemos hallarlo buscando en su escala un número de dioptrías que coincida exactamente con un radio exacto, por ejemplo, 41,50 dioptrías con Ra de 8,00 m. m. y aplicando la fórmula 6:

$$\frac{Da' \cdot Ra'}{1.000} = (n - n') = \frac{41,50 \times 8,00}{1.000} = 0,332$$

por consiguiente $n' - n = 0,332$ y como $n = 1$ resulta:

$$n' = 0,332 + 1,000 = 1,332$$

$$n' = 1,332.$$

* Con este fin la Casa Obrig nos ha construido un modelo de su Cornealómetro de Investigación con escala calibrada al índice 1.376.

Todos estos cálculos pueden omitirse consultando las tablas ad hoc (4) y (5). En primer lugar la tabla calculada con el índice de refracción propio del oftalmómetro para obtener Ri y luego la calculada con índice 1,376 para obtener el valor de Di.

3º Determinación de Df:

El valor de Df, o sea las dioptrías que finalmente debe adquirir la córnea Di para corregir la ametropía Dc se obtiene aplicando la fórmula 1 o sea:

$$Df = Di + Dc.$$

En nuestro caso:

$$Df = 50,40 + (-9,75) = 50,40 - 9,75 = 40,65.$$

4º Determinación de Rf:

Rf se obtiene aplicando la fórmula de Littmann 10, o la 13. En este caso usaremos la 5 por su mayor simplicidad:

$$Rf = \frac{376}{Df.}$$

$$\text{en nuestro caso: } \frac{376}{40,65} = 9,249 \text{ m. m.}$$

o sea que una córnea con radio inicial de 7,46 m. m. debe adquirir un radio final de 9,25 m. m. para corregir una ametropía de — 11,00 dioptrías.

SEGUNDA PARTE

La segunda parte del cálculo tiene por objeto determinar el espesor de la resección en el centro, punto este en que la resección es máxima ya que se trata de resecar un lente positivo para obtener uno negativo.

El espesor de un lente se obtiene por cálculo sagital empleando la fórmula general:

$$S = R - \sqrt{R^2 - \frac{Z_0^2}{4}} \quad (15)$$

QUERATOPLASTIA REFRACTIVA

El espesor de un lente positivo en el centro, sin espesor en el borde, es igual a la diferencia entre los valores sagitales de los arcos de su cara anterior y posterior.

Por consiguiente en nuestro caso:

$$Er = S (Zo) Re - S (Zo) Rsp.$$

Naturalmente para conocer el valor de Er , debemos comenzar por fijar el valor de Zo y determinar el de Re y Rsp así como el de sus respectivas ságitas.

El valor de Er , está en proporción directa del de Zo para un mismo valor de Rt . El valor de Zo ha sido escogido por la experimentación animal y práctica clínica. Con límites de 5,5 y 7,5 m.m., se ha demostrado más adecuado para todos los casos $Zo = 6,00$.

En los ejemplos que siguen utilizaremos siempre el valor de Zo , más habitual o sea $Zo = 6,00$ m. m.

1º Determinación de Re :

El radio de la entrecara Re es igual al radio inicial Ri acortado en el espesor Ed del disco corneal resecao.

$$Re = Ri - Ed.$$

Si el microqueratomo empleado ha resecao un disco corneal de 0.250 m.m. de espesor, tenemos $Ed = 0,250$, de donde,

$$Re = Ri - Ed = 7,461 - 0,211 = 7,211 \text{ m. m.}$$

$$Re = 7,211 \text{ m.m.}$$

2º Determinación de Rsp :

Rsp es el radio de la superficie posterior del disco de tejido corneal adaptado a Rf , o sea, la superficie sobre la que debe realizarse la talla óptica con un radio Rt y en una profundidad Er .

$$Rsp = Rf - Er, \text{ o sea,}$$

$$Rsp = Rf - Er = 9,250 - 0,250 = 9,000 \text{ m. m.}$$

3º Determinación de la ságita (flecha) de Re con cuerda igual a Zo:

Aplicando la fórmula 15, tenemos:

$$S (Zo) Re = Re - \sqrt{\frac{Re^2 - Zo^2}{4}}$$

$$= 7,211 - \sqrt{\frac{51,99852 - 36}{4}} = 0,65368 \text{ m. m.}$$

cifra que se obtiene igualmente consultando las tablas para Zo = 6,00.

4º Determinación de S (Zo) Rsp:

Por el mismo procedimiento anterior S (6,00) de 9,00 = 0,51472 m. m.

5º Determinación de Er:

El espesor de un lente positivo de diámetro Zo es igual a la diferencia de las ságitas de los arcos (cuerda Zo) de sus caras anterior y posterior, o sea:

$$Er = S (Zo) Re - S (Zo) Rsp = 0,65368 - 0,51472 = 0,13895 \text{ m. m.}$$

o sea que debe resecarse en el centro del disco de tejido corneal un espesor de 0,139 m.m., con un radio Rt = Re para obtener Zo = 6,00 m. m.

6º Determinación de Ec:

Ec es el espesor de tejido corneal que queda en el centro del disco corneal después de resecarlo el lente positivo de espesor Er.

$$Ec = Ed - Er, \text{ en nuestro caso:}$$

$$Ec = Ed - Er = 0,250 - 0,139 = 0,111 \text{ m. m.}$$

o sea que el espesor del disco de tejido corneal en el centro, después de torneado será de 0,111 m. m.

El espesor mínimo, que por razones de resistencia del tejido corneal y espesor del epitelio, puede dejarse en el centro del disco corneal, es de 0,09. Si debido a que Er es mayor, o Ed menor y resulta Ec menor de 0,09, deberá computarse como 0,09 y en este caso Zo será menor de 6,00 m. m.

TERCERA PARTE

Regulación del torno en frío:

1º Se coloca en el porta bases del torno una base plástica (Delrin) del diámetro del disco corneal, $Db = Dd$ y de 2,50 m. m. de espesor en el centro como máximo. $EB \leq 2,50$ m. m.

2º Selección en el carro superior de Rf' siendo $Rf' = Rf + Ch$.

3º Abriendo las llaves que dan paso al refrigerante, enfriar la base y herramienta en la forma rutinaria para que adquieran la temperatura que tendrán durante la talla óptica y sufran la misma contracción.

4º Colocar el micrómetro de tope del carro inferior a cero.

5º Tallar la base a Rf (Rf , puesto que la herramienta se ha contraído en Ch por la acción del frío).

6º Fijar el tope de avance del carro inferior.

7º Nueva pasada de la herramienta para asegurar el punto cero.

8º Selección del radio de talla. $Rt' = Rt + Ch$ y $Rt = Re$.

9º Regulación del desplazamiento (limitación del avance). El micrómetro de tope del carro inferior debe colocarse en $Rf - Rt - Ec$.

10º Comprobación del avance. Se avanza el carro inferior hasta el tope y se comprueba que la herramienta no toque la base. La distancia entre la herramienta y la base debe ser igual al espesor Ec de tejido que quedará en el centro del lenticulo.

11º Sin mover el carro de la posición anterior, colocar a cero el dial del micrómetro de la manija de avance del carro inferior con el fin de tener una referencia de la marcha de la talla óptica.

12º Cerrar la llave del paso refrigerante.

13º Colocar a 0 la escala de medición angular.

14º Retroceder el carro inferior para dejar espacio entre la base y herramienta para la limpieza y colocación del disco corneal.

Regulación del torno a temperatura ambiente:

Para regular el torno a temperatura ambiente, se procede como en el caso anterior, suprimiendo la etapa 3.

La base se tallará a R_f y el avance se fijará en $R_f - R_t - E_c + C_b$.

El radio de talla será R_t' , como en el caso anterior

Al comprobar que la herramienta no toque a la base, ésta debe quedar con una separación que será igual a $E_c - C_h - C_b$, separación menor que en el caso anterior, pues falta la contracción de la base y herramienta.

Habitualmente empleamos la regulación a temperatura ambiente por ser más práctica e igualmente exacta si la determinación de C_b y C_h ha sido hecha con meticulosidad.

B) HIPERMETROPIA

Supongamos el mismo caso anterior, con lectura oftalmométrica (oftalmómetro 1,3375) $43,50 \times 180 - 44,50 \times 90$ y refracción a 14 m. m. del vértice corneal de $+ 6,50 - 1,00 \times 90$.

Haremos el cálculo sobre el meridiano más amétrope o sea, $D_a = 43,50$ y refracción $+ 6,50$.

PRIMERA PARTE

1º Determinación de D_c :

Aplicando la fórmula 14 tendremos:

$$D_c = C_v = \frac{+ 6,50}{1 - (0,014 \cdot 6,50)} = \frac{+ 6,50}{1 - 0,091} = \frac{+ 6,50}{0,909}$$

$$= 7,15071 \text{ dioptrías en vértice}$$

Consultando las tablas o usando la regla obtenemos un resultado muy similar: 7,25.

QUERATOPLASTIA REFRACTIVA

2º Determinación de Di y Ri:

El valor de Ra se determina con la fórmula 5 como en el caso de miopía y por consiguiente tendremos:

$$Ra = Ri = \frac{n' - n}{Da} \times 1.000 = \frac{1,3375 - 1,000}{43,50} \times 1.000 = \frac{337,5}{43,50} = 7,75833 \text{ m. m.}$$

fórmula en que 1,3375 es el índice de refracción arbitrario empleado en el oftalmómetro usado para determinar Da.

En consecuencia el valor de Di será:

$$Di = \frac{376}{7,758} = 48,462 \text{ dioptrías}$$

3º Determinación de Df:

$$Df = Di + Dc \text{ o sea } Df = 48,462 + 7,150 = 55,612 \text{ dioptrías.}$$

4º Determinación de Rf:

$$Rf = \frac{376}{Df} = \frac{376}{55,612} = 6,761 \text{ m. m.}$$

o sea que la córnea con radio inicial de 7,758 debe adquirir por la acción quirúrgica un radio final de 6,76 para corregir una ametropía de + 7,15 dioptrías en vértice corneal.

SEGUNDA PARTE

Como en el caso anterior, la segunda parte del cálculo tiene por objeto determinar el espesor de la resección, en este caso en la periferia, ya que se trata de resecar una lente negativo, para crear uno positivo. En caso de corrección hipermetrópica $Zo = Dd$ ya que se trata de resección en el borde y no debe sustraerse tejido en el centro, ya que por la ley de espesores (11) se neutralizaría total o parcialmente el efecto corrector de la intervención.

1º Determinación de Re:

Como en el caso anterior: $Re = Ri - Ed$.

En caso de corrección hipermetrónica Ed debe ser grande, todo lo que permita la córnea sin correr riesgo de perforar la cámara anterior. Utilizaremos:

$$Ed = 0,380 \text{ a } 0,450$$

$$Re = 7,760 - 0,450 = 7,310 \text{ m. m.}$$

2º Determinación de Rsp:

Como en el caso de corrección miópica $Rsp = Rf - Ed$

$$Rsp = 6,760 - 0,450 = 6,310 \text{ m. m.}$$

3º Determinación de la ságita de Re con Cuerda Zo S (Zo) Re.

Considerando $Zo = Dd = 8,00$ y aplicando la fórmula 15 tenemos:

$$7,310 - \sqrt{\frac{53,43610 - 64}{4}} = 1,19150 \text{ m. m.}$$

Cifra que se obtiene igualmente consultando las tablas para $Zo = 8,00$.

4º Determinación de la ságita de Rsp S (Zo) Rsp:

Por el mismo procedimiento o consultando las tablas:

$$S(8,00) 6,310 = 1,42983.$$

5º Determinación de Er:

El espesor en el borde de un lente negativo, sin espesor en el centro es igual a la diferencia de las ságitas de las curvas de sus caras anterior y posterior. Por consiguiente:

$$Er = S(8,00) Rsp - S(8,00) Re = 1,429 - 1,191 = 0,238$$

O sea que el buril debe resecar en el borde del disco corneal un espesor de tejido de 0,238 m. m. sin tocar el centro del disco corneal.

6º Determinación de Eb:

Eb es el espesor de tejido corneal que queda en el borde del disco corneal después de resecarlo el lente negativo de espesor Er.

$$Eb = Ed - Er = 0,450 - 0,238 = 0,212 \text{ m. m.}$$

TERCERA PARTE

Regulación del Torno:

Solo consideraremos la regulación del torno en caliente ya que una vez comprendidas las diferencias con la técnica en frío es fácil de adaptar la descripción dada para casos de miopia.

- 1) Colocación de una base plástica, en el torno, con $Db = Dd$ y EB no mayor de 2,50 m. m.
- 2) Selección en el carro superior de Rf , en nuestro caso 6,761 m. m.
- 3) Colocar el micrómetro de desplazamiento del carro inferior a 10 (diez).
- 4) Tallar la base a Rf .
- 5) Fijar el tope de avance del carro inferior.
- 6) Nueva pasada de la herramienta para rectificar y asegurar el punto cero.
- 7) Retroceder el carro inferior.

- 8) Seleccionar en el carro para radios, (el superior) Rt' :

$$Rt' = Rt + Ch = Re + Ch.$$

$$\text{En nuestro caso } Re = 7,310 \text{ y } Rt' = 7,310 + 0,020 = 7,330.$$

- 9) Regulación del desplazamiento (limitación del avance).

El micrómetro del tope de avance debe colocarse en:

$$Rt - Rf + Ed - Cb - Ch.$$

$$\text{En nuestro caso: } 7,310 - 6,6761 + 0,450 - 0,040 = 1,0439.$$

Como el micrómetro se halla en 10,00 debe colocarse en:

$$10,000 - 1,0439 = 8,9561.$$

- 10) Comprobación del Retroceso:

Se avanza el carro inferior hasta el tope y se comprueba que la herramienta no toca el borde de la base. La separación entre el borde de la base y la punta de la herramienta ha de ser igual a $Eb - Cb - Ch$, o sea 0,152 m. m.

- 11) Sin mover el carro de la posición anterior, colocar a 0 el dial del micrómetro de la manija de avance del carro inferior con el fin de tener una referencia de la marcha de la talla óptica.
- 12) Colocar a cero el indicador de Angulo.
- 13) Retroceder el carro inferior lo necesario para la limpieza y facilitar la colocación del disco corneal en el acto quirúrgico.

VI — OBTENCION DEL VALOR R_t POR
TRANSPOSICION SAGITAL

Hasta ahora hemos considerado el uso de una base con un radio R_b (Radio base) igual al radio que debe adquirir la córnea para corregir una ametropía dada, o sea $R_b = R_f$. Este método tiene la ventaja de eliminar las modificaciones del valor refractivo del lenticulo por cambio de incurvación. Como ha demostrado Kaplan, las modificaciones inducidas por cambios de incurvación dentro de los límites usuales, en Queratoplastia Refractiva, son poco significativos y puede prescindirse de ellas.

También hemos visto que al utilizar $R_b = R_f$ automáticamente $R_t = R_e$ simplificando mucho la comprensión de lo que hacemos con la talla óptica, la realización práctica del cálculo y regulación del torno

En la práctica son más empleadas bases con radio diferente de R_f y en este caso el valor de R_t debe obtenerse por transposición sagital.

A. Se requiere la determinación de R_t por cálculo ságital:

1º Cuando se emplea una base con R_b diferente a R_f .

2º Cuando E_d varía por hidratación o congelación en el curso de la intervención (modificación del valor R_{sp}).

3º Cuando se realiza el cálculo per-operatoriamente.
(Determinación del valor exacto de E_d , R_{sp} y R_e).

4º En aquellos casos que la experiencia muestra que debe tenerse en cuenta un incremento dado, (modificación prevista de R_{sp}).

En este capítulo examinaremos solamente el primer caso, siendo los otros objeto de descripción en otras partes de este trabajo.

B. Las causas que inducen a emplear una base con radio diferente al radio final son:

QUERATOPLASTIA REFRACTIVA

- 1º Uso de una base pretallada:
- a) Corrección de Astigmatismos
 - b) Dos o más operaciones sucesivas
 - c) Equipo provisto de base única.
- 2º Dificultad de adaptación del disco corneal a una base demasiado plana o demasiado curva.
- 3º Falta de capacidad del torno para tallar el radio requerido con una base dada.

Sea por una u otra causa, al emplear R_b diferente a R_f , o al modificar R_{sp} debe hacerse la transposición sagital para determinar R_t .

Este cálculo está basado en que E_r o E_l , para una Z_o dada, define las características del lente, prescindiendo de las modificaciones inducidas por la incurvación o aplanamiento, que como hemos visto, son de poca significación en nuestro caso.

Si examinamos la fórmula $S (Z_o) R_e$ o $R_t - S (Z_o) R_{sp} = E_r$, fácilmente se deduce $S (Z_o) R_t = E_r + S (Z_o) R_{sp}$.

Sustituyendo los símbolos por los valores de nuestro caso de corrección de miopía, tenemos:

$$S (Z_o) R_t = E_r + S (Z_o) R_{sp}, \text{ o sea:}$$

$$S (Z_o) R_t = 0,654 = 0,139 + 0,515.$$

Por consiguiente, si el valor de R_{sp} varia por hidratación, etc., o porque empleamos una base con R_b distinta a R_f , la Ságita de R_t será igual a la Ságita de R_{sp} adicionada en E_r .

Ejemplo: Si en nuestro caso de corrección de miopía, para continuar con el mismo para mayor claridad, empleamos una base con $R_b = 8,000$ m. m., tendremos: $R_{sp} = 3,000 - 0,250 = 7,750$ m. m.

En consecuencia: $S (Z_o) R_t = 0,139 + S (Z_o) 7,750 = 0,139 + 0,604 = 0,743$.

Partiendo de la Ságita, el valor del radio puede encontrarse fácilmente en la tabla de Z_o adecuada o mediante la fórmula:

$$R = \frac{S^2 + \frac{Z_o^2}{2}}{2 (S (Z_o) R)} \quad (16)$$

JOSE I. BARRAQUER M.

En nuestro caso:

$$Rt = \frac{(S(Zo)Rt)^2 + \left(\frac{Zo}{2}\right)^2}{2(S(Zo)Rt)} = \frac{(0,7432)^2 + 9}{2 \times 0,7432} = 6,426 \text{ m. m.}$$

o sea que al emplear una base $Rb = 8,000$ m. m. deberemos emplear un $Rt = 6,426$ para obtener $Er = 0,139$ con $Zo = 6,00$ y corregir Dc .

El cálculo del desplazamiento de la herramienta, debe realizarse como en los casos anteriores.

Si la base fue pretallada una vez seleccionado Rt' debe ajustarse el punto cero, bajo control microscópico, para no dañar la base ni la herramienta y regular el desplazamiento.

Corrección de miopía: $Ec - Cb - Ch$.

Corrección de hipermetropía: $Ed - Cb - Ch$.

VII — CALCULO DE LA QUERATOFAQUIA PARA LA CORRECCION DE FUERTES HIPERMETROPIAS Y AFAQUIA

La base del cálculo es la misma que para Queratomileusis, si bien en este caso, en vez de reseca un lente, debemos obtener uno tallándolo en tejido corneal procedente de un ojo dador. (Fig. 1).

Como en los casos precedentes, la primera fase del cálculo consiste en determinar el valor Rf.

A. Determinación de Rf:

En los casos de Hipermetropia o Afaquia, si conocemos Dc, el procedimiento a seguir es el mismo que en Queratomileusis.

Si Dc no es conocido, porque la extracción del cristalino es simultánea con la operación refractiva, catarata secundaria densa, etc., debe emplearse el método axil, para la determinación de Rf.

El método axil comprende dos variantes:

- 1) Fórmula completa.
- 2) Fórmula simplificada.

Ambos presuponen el conocimiento de la longitud axil del globo ocular. (Método óptico ecoscópico de Gernet) y el conocimiento de Ri.

Para el desarrollo de la fórmula completa, precisa el conocimiento del espesor corneal antes y después de la cirugía (Ei y Ef respectivamente) y el radio de curvatura de la superficie posterior de la córnea Rcp.

1. Fórmula completa:

- a) Determinación del radio de la superficie posterior de la córnea:

El radio de la superficie posterior de la córnea se determina mediante Queratometria con el Oftalmómetro de Zeiss ($n' = 1.332$) que por tener miras de proyección de una imagen reflejada sumamente brillante y permite ver con

claridad en la mayoría de los casos imágenes reflejadas por la cara posterior de la córnea y proceder a su medición utilizando la técnica oftalmométrica común.

Un fondo oscuro facilita la lectura, por lo que debemos dilatar o contraer la pupila, según el caso.

El Modus Operandi es el siguiente:

- I) Oftalmometría de la cara anterior
- II) Oftalmometría de la cara posterior.

Ejemplo: Cara anterior: $41,50 \times 180 - 42,50 \times 90$.
 Cara posterior: $58,00 \times 180 - 57,00 \times 90$
 Espesor de la córnea E_i , en el centro: 0,55 m. m.

Para los cálculos utilizaremos el promedio, o sea:

C. A. = 42,00 dioptrias.
 C. P. = 57,50 dioptrias.

Buscando en las tablas 1,332 o aplicando la fórmula 5, tendremos:

$R_a = 7,904$ m. m.
 $R_2 = 5,773$ m. m.

Naturalmente el valor R_2 está modificado por haber realizado su lectura a través de la córnea y para conocer su verdadero valor debemos aplicar la fórmula de Littmann:

$$R_{cp} = \frac{(1,376 \cdot R_i^2) - (0,752 \cdot E_i \cdot R_i) + (0,103 \cdot E_i^2)}{\left(\frac{R_i^2}{R_2}\right) + (0,376 \cdot R_i) - (0,103 \cdot E_i)} \quad (17)$$

$$= \frac{82,74120}{13,73749} = 6,023$$

Para nuestro cálculo de R_f partimos, pues, de:

$E_i = 0,550$ m. m.
 $R_i = 7,905$ m. m. L. A. = 21,50 m. m.
 $R_{cp} = 6,023$ m. m.
 $E_f = 0,550 + 0,201 = 0,751$ m. m.

QUERATOPLASTIA REFRACTIVA

Esta cifra 0,201 es el espesor del lenticulo corrector y debe presuponerse calculando la refracción aproximada en vértice, en este caso + 15,00 o utilizando las tablas de Kaplan. Para obtener un resultado exacto es necesario una vez conocido Rf, calcular nuevamente El, mediante el procedimiento habitual y repetir la operación con un valor de El más aproximado. Esta operación deberá hacerse tantas veces cuantas sea necesario, de acuerdo con la aproximación deseada.

La fórmula axil desarrollada por Hartmut Weber para Rf es la siguiente:

$$Rf = \frac{1 - \frac{Ef}{1,376} \cdot Dcp}{\frac{1,336}{F'} - Dcp} \times 376 \quad (18)$$

En nuestro caso:

$$Rf = \frac{1 - \frac{0,000751}{1,376} \cdot (6,64118)}{\frac{1,336}{0,021751} - (-6,64118)} \times 376 = 5,54426289 \text{ m. m.}$$

$$Rf = 5,544 \text{ m. m.}$$

Fórmula en que Ef y F' deben ser expresadas en metros.

El valor de Dcp se obtiene con la fórmula 4:

$$Dcp = \frac{n' - n}{Rcp} = \frac{1,376 - 1,336}{6,023} = \frac{40}{6,023} = 6,64118 \text{ dioptrías}$$

El valor de F' es igual a L. A. + 0,05 + El = 21,751 m. m.

2. Fórmula axil simplificada:

Las fórmulas simplificadas están basadas en el ojo simplificado de Gullstrand que considera que el ojo no tiene córnea y su superficie anterior formada por humor acuoso n = 1,336, pero como sí tiene córnea, introducimos una corrección para obtener su resultado más exacto.

La fórmula del ojo simplificado sería:

$$D = \frac{n'}{F'}$$

La primera corrección consiste en adicionar a F' el espesor del lenticulo E_l y la segunda, en tener en cuenta el valor dióptrico de la cara posterior de la córnea, el cual ya que existe debe adicionarse al poder de la cara anterior del ojo simplificado.

La fórmula queda:

$$D_f = \frac{n'}{F' + E_l} + D_{cp} \quad (19)$$

En nuestro caso:

$$D_f = \frac{1,336}{0,02155 + 0,000201} + (-6,64118) = 61,422463 \text{ y}$$

$$R_f = \frac{n' - n}{D_f} \cdot 1.000 = \frac{336}{61,422463} = 5,470311 \text{ m. m.}$$

valor muy aproximado al de la fórmula completa.

3. Segunda fórmula simplificada:

Consiste en emplear en 19 un índice de refracción convencional, que compensa en promedio el valor de D_{cp} . Según Littmann, $n = 1,332$.

$$D_f = \frac{1,332}{F' + E_l} = 61,238563 \text{ Dpt.}$$

$$R_f = \frac{336}{D_f} = 5,486738 \text{ m. m.}$$

QUERATOPLASTIA REFRACTIVA

Del examen comparativo de los resultados obtenidos con la fórmula exacta de Weber, con la fórmula simplificada que incluye el valor dióptrico de la cara posterior y con la fórmula más simple derivada del uso del índice de refracción convencional de Littmann, se desprende que es preferible utilizar esta última en los casos de rutina, y solamente la fórmula completa cuando se desee hacer alguna comprobación técnica o de nueva fórmula, a no ser que se utilice un computador en cuyo caso se programará la fórmula completa.

B. Determinación de El:

El valor de El, espesor del lentículo en el centro, para una Zo (diámetro del lentículo en este caso) determinado, se obtiene por cálculo sagital. En Queratofaquia se emplean preferencialmente:

$$Z_o = 5,5 \text{ a } 6,5, \text{ en general } Z_o = 6,00$$

Si suponemos el disco corneal adaptado a Rf y tocando sus bordes de coaptación a la córnea intervenida, fácilmente podemos imaginar el espacio vacío que queda en la entrecara. Este espacio está delimitado por delante por la cara posterior del disco corneal incurvado a Rf y por su cara posterior por las capas del parenquima corneal expuestas por la resección. Sus radios de curvatura serán Rsp = Rf — Ed para la cara anterior y Re para la cara posterior. Por consiguiente, el espesor del lentículo El para un diámetro (Zo) de 6,5 m. m. será la diferencia entre las flechas con cuerda 6,5 de los arcos Radio Rsp y Re.

$$El = S (6,5) R_{sp} - S (6,5) Re.$$

En nuestro caso práctico tendremos:

$$R_i = 7,905$$

$$R_f = 5,487$$

$$Z_o = 6,500$$

$$E_d = 0,300$$

$$\text{Por consiguiente } R_{sp} = 5,487 - 0,300 = 5,187.$$

$$R_e = 7,905 - 0,300 = 7,605$$

JOSE I. BARRAQUER M.

$E_l = S(6,5) 5,187 - S(6,5) 7,605 = 1,144419 - 0,729426 = 0,414993$, o sea que el espesor en el centro de dicho lenticulo será de 0,415 m. m.

Como quiera que en la fórmula simplificada habíamos empleado un $E_l = 0,201$, debemos repetir el cálculo de R_f computando el nuevo valor de E_l por si hubiese alguna modificación significativa.

Tenemos:

$$D_f = \frac{1,332}{0,02155 + 0,000415} = 60,641930 \text{ dioptrias}$$

$$\text{y } R_f = \frac{336}{60,641930} = 5,540720 \text{ m. m.}$$

Con este nuevo R_f tenemos:

$$R_{sp} = 5,240 \text{ y } S(6,5) R_{sp} = 1,129377$$

$E_l = 1,129377 - 0,729426 = 0,3999$ que es una diferencia significativa con el primer valor obtenido, por consiguiente está justificado repetir el cálculo de R_f y de E_l con este nuevo valor.

$$D_f = \frac{1,332}{0,02155 + 0,000399} = 60,68613 \text{ dioptrias}$$

$$R_f = \frac{336}{60,68613} = 5,535$$

$$R_{sp} = 5,236$$

$$E_d = 1,130675 - 0,729426 = 0,401249$$

Valores estos de R_f y E_l que podemos aceptar como suficientemente aproximados dada su similitud con los anteriormente obtenidos.

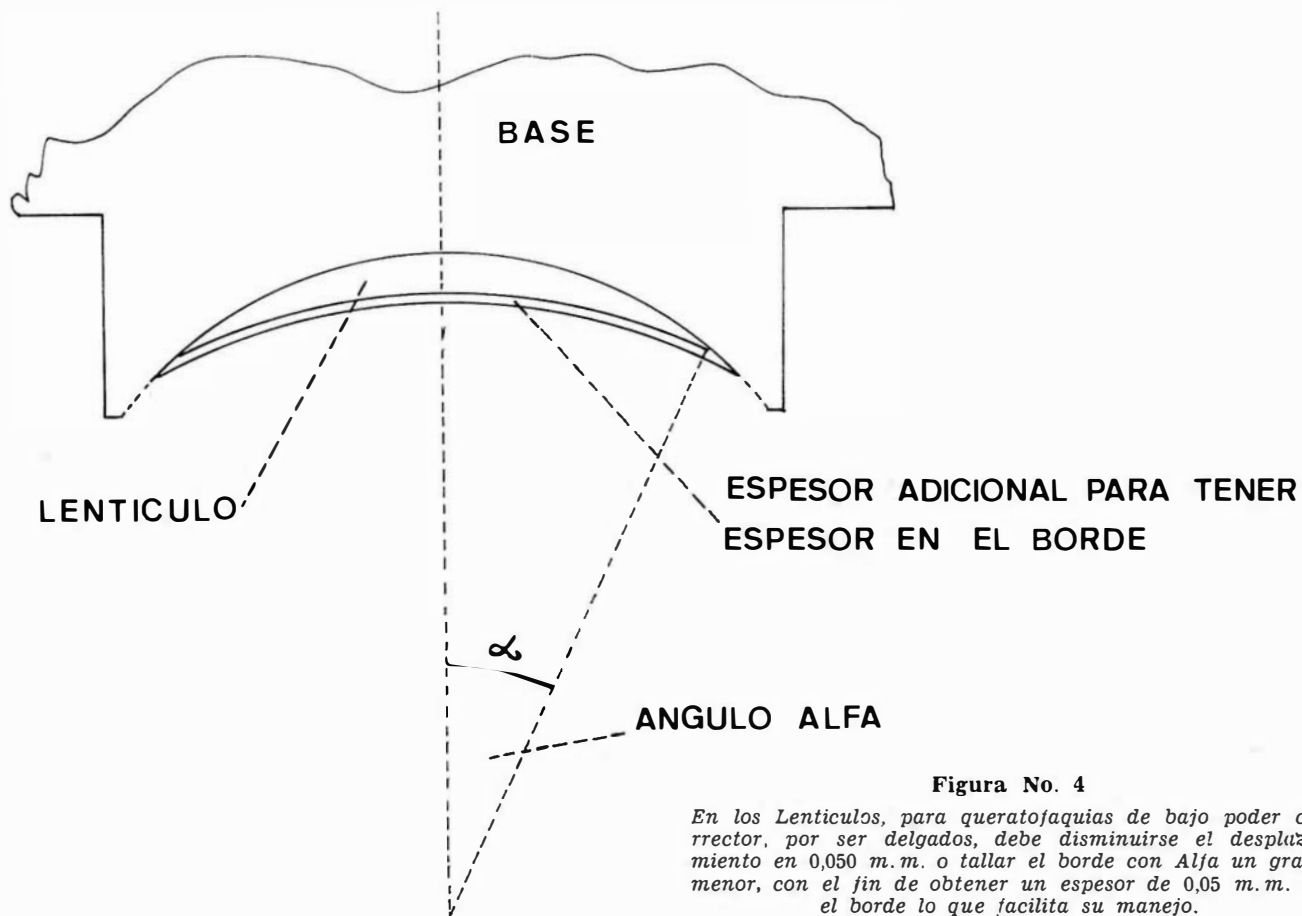


Figura No. 4

En los Lenticulos, para queratofaquias de bajo poder corrector, por ser delgados, debe disminuirse el desplazamiento en 0,050 m.m. o tallar el borde con Alfa un grado menor, con el fin de obtener un espesor de 0,05 m.m. en el borde lo que facilita su manejo.

Determinación de Dc:

Cuando el cálculo se ha hecho por el método axil, es interesante aunque solo sea a título informativo, ya que no precisa para el cálculo de Rt, conocer el valor de Dc.

$$Dc = Df - Di = \left(\frac{376}{5,536} \right) - \left(\frac{376}{7,905} \right) = 20,354 \text{ dioptrias en vértice}$$

C. Determinación de Rt:

Rt debe determinarse siempre por cálculo sagital ya que Rb no es igual a Rsp y que el incremento es siempre muy importante.

D. Determinación del Angulo Alfa:

Un lenticulo tallado sobre base Rsp y $Rt = Re$ con los cálculos anteriores tendría exactamente 6,5 m. m. de diámetro, pero en su borde carecería de espesor.

Es necesario cierto espesor en el borde para obtener un lenticulo uniforme y permitir su manipulación. Por esta razón deben obtenerse lenticulos algo mayores, limitando 0,05 m. m., el avance o tallando a 6,00 m. m. de diámetro, los lenticulos calculados a 6,5 y a 5,5, los calculados a 6,00 m. m. (Fig 4).

Para tallar un lenticulo a un diámetro determinado y naturalmente siempre menor del precalculado, se utiliza el Angulo Alfa.

El Angulo Alfa es el ángulo que forma el eje de la herramienta del torno, con el eje de giro del lenticulo. Fácilmente se comprende que midiendo este ángulo podremos determinar el diámetro del lenticulo resultante al avanzar la herramienta hasta tocar la base en esta posición.

El valor del Angulo Alfa para cada dimensión de Zo con el valor de Rt varia. Debe calcularse para cada caso o utilizar las tablas existentes.

$$\text{Seno de Alfa} = \frac{\frac{Zo}{2}}{Rt} = \frac{3}{7,605} = 0,394477$$

QUERATOPLASTIA REFRACTIVA

El valor de Alfa puede obtenerse en unas tablas trigonométricas y en este caso sería = 23,10 grados.

Si se utiliza una calculadora, puede emplearse un método simplificado de suficiente exactitud en Queratofaquia.

$$\text{Alfa} = \text{Seno de Alfa} \times 58,50 = 23,07 \text{ grados.}$$

La diferencia en este caso es de 0,03 grados, cifra que carece de significación.

E. Deslizamiento en el borde:

Al introducir un lenticulo en la entrecara y cambiar R_i por R_f se produce un aumento de la longitud del arco del disco de tejido corneal que determina un deslizamiento en todo el perimetro del borde de coaptación. Este deslizamiento debe ser tenido en cuenta al colocar la sutura, pues de lo contrario el efecto modificador de la intervención sería sobre la cara posterior de la córnea en vez de la anterior.

El valor del deslizamiento se calcula con la fórmula 3 que da la diferencia total entre la longitud del arco R_i y R_f , naturalmente solo la mitad de dicho valor será el del deslizamiento en todo el perimetro del borde de coaptación. De ahí la necesidad de un corte corneal oblicuo que permita el deslizamiento necesario.

En la fórmula 3:

a = Longitud del arco del disco con R_i

a' = Longitud del arco del borde del lecho con el disco adaptado a R_f .

Los valores de $a - a'$ para $Z_0 = 6,00$ están dados en la siguiente tabla.

TABLA III

LONGITUDES DE ARCO PARA UNA CUERDA DE 6 M. M.

R	a	R	a
8,50	3,055	6,25	3,113
8,40	3,056	6,19	3,121
8,30	3,058	6,14	3,122
8,20	3,060	6,08	3,127
8,10	3,062	6,03	3,128
8,00	3,063	5,97	3,132
7,90	3,066	5,92	3,136
7,80	3,068	5,87	3,138
7,70	3,072	5,82	3,142
7,63	3,073	5,77	3,145
7,54	3,076	5,72	3,148
7,45	3,078	5,67	3,152
7,37	3,079	5,62	3,154
7,28	3,081	5,57	3,157
7,20	3,083	5,52	3,160
7,12	3,086	5,48	3,163
7,05	3,088	5,43	3,167
6,97	3,092	5,39	3,170
6,90	3,093	5,35	3,174
6,83	3,095	5,30	3,177
6,76	3,097	5,26	3,181
6,70	3,101	5,22	3,184
6,62	3,102	5,17	3,189
6,57	3,104	5,14	3,192
6,50	3,107	5,10	3,197
6,44	3,110	5,06	3,201
6,37	3,114	5,02	3,205
6,31	3,115	4,95	3,212

VIII — INCREMENTOS

La determinación del incremento es fundamental en cirugía refractiva, ya que según su valor, varía fundamentalmente el espesor de la resección Er en Queratomileusis y El en Queratofaquia, valores que a su vez inciden directamente sobre Rt.

Entendemos por incremento, el aumento de espesor que sufre el tejido corneal por el proceso de preservación y congelación propios de la talla óptica al torno y por el de hidratación post-mortem en los ojos dadores.

Al valor de Ed + Incremento, lo designamos Ed'

Al valor de Er + Incremento, lo designamos Er'

Al valor de El + Incremento, lo designamos El'

Esto es fácil en Queratomileusis por ser técnica autoplástica, pero en Queratofaquia la determinación del incremento presupone el conocimiento del espesor del tejido dador antes de ser sometido a las causas que determinan el aumento de espesor.

El incremento (aumento de espesor) de la córnea dadora Icd, debe expresarse en porcentaje en relación con 0,55 m. m. cifra que tomamos como espesor pre-mortem de la córnea humana en el centro.

A. Medición del espesor del disco corneal

La medición del espesor del disco de tejido corneal resecado por el microqueratomo, puede realizarse en forma mecánica y óptica.

1) Método Mecánico. Se utiliza un micrómetro de esfera esterilizable.

Conviene que el resorte del mismo ejerza poca presión sobre el disco corneal a fin de evitar errores por compresión. La lectura debe realizarse así que se establece el contacto con el tejido y la aguja indicadora del dial comienza a detenerse.

2) Método óptico:

Fundado en la medición del desplazamiento del cuerpo del microscopio desde la posición de enfoque nítido de la superficie del tejido y de la superficie de la base metálica sobre la cual reposa.

El radiuscope A. O., que además proyecta la imagen de unas líneas luminosas para facilitar el enfoque, es muy indicado. Debe evitarse que la superficie expuesta del tejido esté húmeda para evitar errores.

La segunda lectura debe hacerse desplazando la platina del microscopio y no a través del disco, la que daría graves errores debidos al alto índice de refracción corneal.

En ambos casos la toma de espesor debe realizarse inmediatamente después de obtener el disco de tejido, pues su espesor sufre rápidamente variaciones ya sea por hidratación, si está en contacto con solución salina, o por desecación, si permanece expuesta a la acción del aire ambiente.

El método mecánico es más rápido, suficientemente preciso en la práctica y no requiere la intervención de un auxiliar como el método óptico.

B. Medición del espesor de la córnea dadora

La determinación del espesor de la córnea dadora Ecd., puede realizarse también óptica o mecánicamente.

1) Método óptico:

Puede utilizarse como más simple el dispositivo de Jäeger fabricado por Haag-Streit, para determinar el espesor real de la córnea dadora, adicionando a la lectura la corrección correspondiente de acuerdo con las tablas.

También puede emplearse el Radiuscope de American Optical, procediendo de la siguiente forma:

- a) Inyectar aire en el cuerpo vítreo a través del nervio óptico, hasta obtener tono normal en el globo ocular.
- b) Desepitelizar la córnea.
- c) Colocando el globo en el radiuscope, determinar R_a y R_a' como si se tratase de un lente de contacto.

QUERATOPLASTIA REFRACTIVA

d) Obtener valor del radio inicial dador R_{id} :

$$R_{id} = \frac{R_a + R_{a'}}{2}$$

- e) Inyectar aire en la cámara anterior para visualizar la superficie posterior de la córnea.
- f) Medir el espesor aparente E_{ca} , desplazando el cuerpo del microscopio desde el punto de enfoque de la superficie anterior a la posterior.
- g) Calcular el espesor real E_{cr} :

$$E_{cr} = \frac{1,376}{\frac{0,376}{R_{id}} + \frac{1}{E_{ca}}} \quad (20)$$

h) Añadir el valor del espesor del epitelio normal.

2) Método mecánico:

Para conocer el espesor real E_{rc} de la córnea dadora, utilizando el micrómetro de esfera, se puede proceder de dos formas:

- a) Obtención con trépano de un disco de tejido corneal de 8,00 de diámetro y medición del mismo. En este caso el tejido deberá ser tallado por ambas caras.
- b) Obtención de un disco de tejido con el microquerátomo y de otro con trépano de las capas posteriores.

Medición de ambos y adición de las lecturas.

Si el valor de $E_{r'}$ necesario no es muy grande, puede obtenerse un disco de 8,00 de diámetro con el microquerátomo adecuado y resecar las capas posteriores con un trépano de 6,00 con el fin de evitar errores por el bisel de la sección. Si el valor de $E_{r'}$ es próximo al de el tejido disponible, deberá actuarse como en a) o bien, resecar un disco muy fino 0,10 y de gran diámetro 9,00 m. m., con el microquerátomo y resecar las capas posteriores con un trépano de 7,50 m. m. u 8,00 m. m. que serán las que se utilizarán. Al calcular el espesor corneal debe tenerse en cuenta si el epitelio está presente o se ha desprendido con el fin de adicionar este espesor al total de la córnea dadora.

C. Determinación del incremento:

En Queratomileusis, solo debe tenerse en cuenta el incremento en el espesor del disco de tejido corneal por la acción de la preservación y la congelación mientras que en Queratofaquia a estos incrementos debe adicionarse el incremento inicial del tejido, producido por cambios post-mortem.

1. QUERATOMILEUSIS

a) Medición del espesor.

b) El disco de tejido corneal preservado se coloca en la base y se congela con la técnica habitual. Una vez congelado se determina su espesor con un palpador micrométrico de esfera de que va provisto el torno. (Fig. 5). Esta lectura nos da directamente el valor de Ed'. En este caso no hay variaciones por comprensión ya que el tejido está endurecido por congelación. La medición debe hacerse rápidamente para evitar el depósito de hielo proveniente de la humedad del ambiente, a tal fin se procede durante la congelación a colocar una cápsula protectora sobre el disco corneal para evitar la formación de hielo. (Fig. 6). Conocido el valor de Ed', el de Er' se determina con la siguiente fórmula:

$$Er' = \frac{Ed' \cdot Ed}{Ed} \quad (21)$$

2. QUERATOFAQUIA

En primer lugar debe determinarse el valor de Icd con la siguiente fórmula:

$$Icd = \frac{(Ecr - 0,55) \cdot 100}{0,55} \quad (22)$$

Como no es posible conocer el espesor real de la córnea dadora In-vivo, debemos suponer que su espesor era el promedio normal, o sea, 0,55 m. m. Esta fórmula nos da el porcentaje de incremento del tejido dador. Una vez conocido Icd, el valor de El' se obtiene en forma idéntica al empleado en Queratomileusis y aplicando la misma fórmula, la cual debe ser adicionada del valor correspondiente a Icd, o sea:

$$El' = \frac{Edd' \cdot El}{Edd} + \frac{Icd \cdot El}{100}$$

QUERATOPLASTIA REFRACTIVA

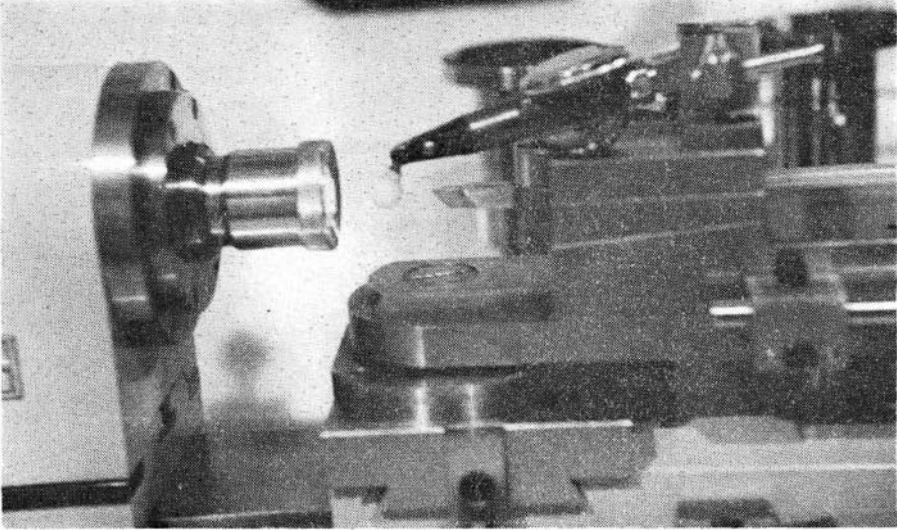


Figura No. 5

Palpador con micrómetro de esfera, para determinar el incremento debido a la preservación y congelación.

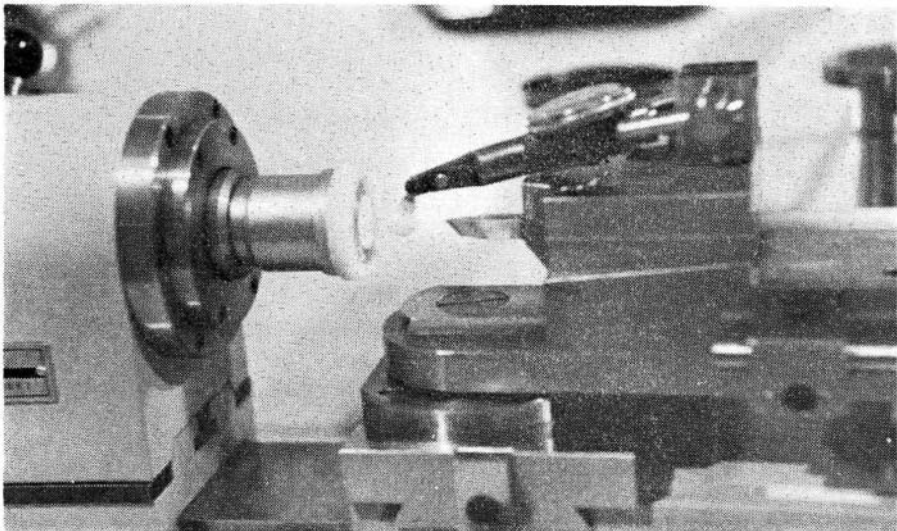


Figura No. 6

Cápsula protectora para evitar la condensación y congelación de la humedad ambiente sobre el disco corneal.

Al tener en cuenta los incrementos el valor de Rt debe obtenerse siempre por transposición sagital.

$$S (Zo) Rt. = S (Zo) Rb + Er' \text{ y } S (Zo) Rt = S (Zo) Rb - E1'$$

D. Aplicación práctica de las fórmulas de incremento:

Veamos ahora, en nuestros ejemplos, qué modificación se produce en el radio de talla, al tener en cuenta el incremento sufrido por el tejido.

1) Queratomileusis, corrección de miopía:

En nuestro caso teníamos:

$$\begin{array}{ll} Rf = 9,250 & Ec = 0,111 \\ Er = 0,139 & Zo = 6,000 \\ Ed = 0,250 & Rt = 7,210 \end{array}$$

Si al preservar y congelar el disco corneal encontramos que su espesor no es de 0,250, sino 0,350, tenemos: $Ed' = 0,350$ y por consiguiente:

$$Er' = \frac{Ed' \cdot Er}{Ed} = \frac{0,350 \times 0,139}{0,250} = 0,194600$$

Por consiguiente: $S (Zo) Rsp' + Er' = 0,520860 + 0,194600 = 0,715460$ m. m.

y aplicando la fórmula 16, $Rt = 6,647389$ m. m., lo que representa una diferencia de 0,563 m. m. en el radio de talla, que equivale aproximadamente a 3,900 dioptrías de diferencia.

Naturalmente una vez obtenido el nuevo valor de Rt debe calcularse y avance en la forma habitual.

2) Queratomileusis, corrección de hipermetropía:

En nuestro caso teníamos:

$$\begin{array}{ll} Rf = 6,761 & Eb = 0,212 \\ Ed = 0,450 & Rt = 7,310 \\ Er = 0,238 & Zo = 8,000 \end{array}$$

QUERATOPLASTIA REFRACTIVA

Si como en el caso anterior $Ed' = 0,800$ tenemos:

$$Er' = \frac{0,800 \times 0,238}{0,450} = 0,423111$$
$$Rsp' = 5,961.$$

Por consiguiente, $Rt = 7,713366$ m. m.

Lo que representa una diferencia de 2,375 dioptrías aproximadamente.

3. QUERATOFAQUIA

En nuestro caso teníamos:

$$Rb = 5,240 \text{ y } S(6,5) Rb = 1,053285$$

$$El = 0,323859$$

$$Rt = 7,605$$

$$Zo = 6,5$$

Si al determinar el incremento de la córnea dadora: $Icd = 95\%$ y al tratar y congelar el disco dador $Edd' = 1.000$ siendo $Edd = 0,650$, tenemos:

$$El' = \frac{Edd' \cdot El}{Edd} + \frac{El \cdot Icd.}{100} = 0,498 + 0,308 = 0,797 \text{ m. m.}$$

de espesor. Entonces $S(6,5) Rt = 1,053 - 0,797 = 0,256$.

Y aplicando la fórmula 16 $Rt = 20,757882$, lo que representa una diferencia muy importante.

IX — CONTRACCION DE LA ZONA OPTICA (Czo)

El disco de tejido corneal al congelarse, se contrae en diámetro y engruesa en espesor, ambas modificaciones inciden en los cálculos y deben tenerse en cuenta para determinar el valor de Rt.

En el capítulo anterior hemos estudiado el aumento de espesor o incremento. En este estudiaremos la reducción del diámetro del disco corneal por la acción del frío y su incidencia en los cálculos en la Queratoplastia Refractiva.

Mediciones efectuadas bajo microscopio nos han demostrado que la contracción del diámetro del disco de tejido corneal al pasar de una temperatura de + 20° a — 30° centígrados es del 5%. La medición peroperatoria es difícil y poco práctica hasta que encontremos un método simplificado para determinar el valor exacto de la modificación del diámetro del disco corneal en cada caso. Mientras tanto debemos considerar como Czo el promedio de las cifras halladas en el laboratorio, trabajando en condiciones similares a las de la sala de cirugía.

Al tener en cuenta el valor de Czo la fórmula para determinar Rt presenta la siguiente modificación:

A. Determinación de Czo:

$$\text{Czo} = \frac{\text{Zo} \times 5}{100} \quad \text{Si Zo} = 6,5 \quad \text{Czo} = \frac{6,5 \times 5}{100} = 0,325$$

B. Determinación de Rt:

La fórmula 16 se convierte en:

$$\text{Rt} = \frac{(\text{S} (\text{Zo}) \text{Rt})^2 + \frac{(\text{Zo} - \text{Czo})^2}{4}}{2. \text{S} (\text{Zo}) \text{Rt}} \quad (23)$$

X — CALCULO DE LENTICULOS POSITIVOS PARA SER
OBTENIDOS CON EL MICROQUERATOMO

Si el lenticulo El debe ser obtenido exclusivamente con el uso del microqueratomo, su espesor será El + el incremento de la córnea dadora, o sea:

$$El' = El + \frac{El \cdot Icd}{100}$$

En nuestro caso:

$$0,324 + 0,308 = 0,632.$$

Si se dispone de un microquerátomo, que obtiene cortes de este espesor, basta con buscar un anillo que de aplanación de 6,5 m. m. de diámetro y proceder a la obtención del lenticulo con o sin membrana de Bowman según se desee.

En general no se dispone de un microqueratomo de las características exactas al espesor requerido y en este caso debe procederse a determinar cuál debe ser el diámetro de la resección, o sea del lenticulo (Zo) para que no se altere el valor correctivo de la inclusión.

Supongamos nuevamente el caso anterior en el que precisamos de un lenticulo de 6,5 m. m. de diámetro y 0,632 m. m. de espesor en el centro. Disponemos solamente de un microquerátomo de 5/10 de espesor de corte. Se trata de averiguar qué diámetro (Zo) debe tener el lenticulo de 0,5 m. m. de espesor, para que su valor corrector sea el mismo.

Teniendo en cuenta que el torno, talla un lenticulo en forma de menisco Convexo-cóncavo y que el microquerátomo talla un Plano-convexo, debemos imaginar el lenticulo ya calculado con su cara posterior plana, ya que las modificaciones de poder por aplanamiento o incurvación son despreciables y en este caso su espesor El' pasa a ser igual a la ságita del Arco de su cara anterior. (Fig 7).

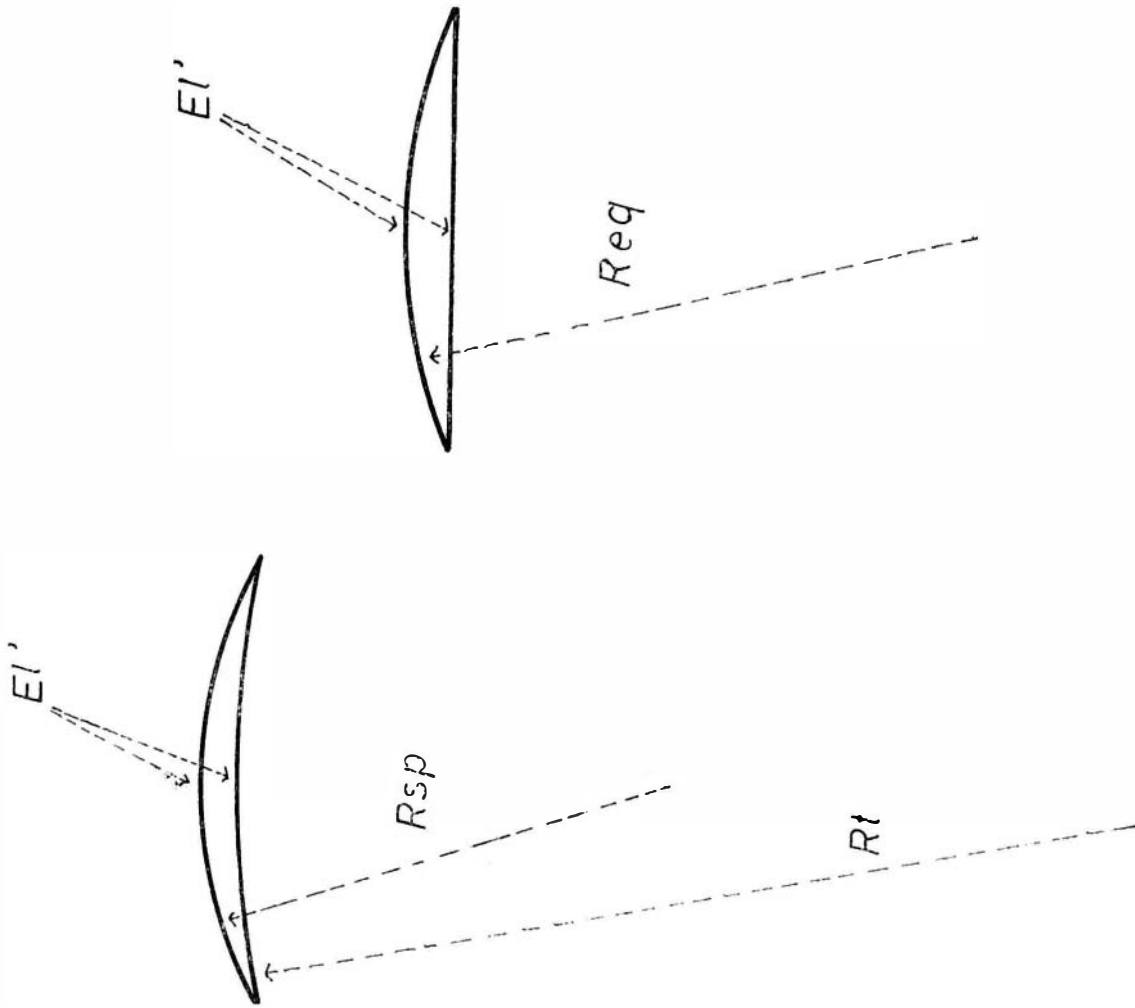


Figura No. 7

Si el lenticulo de la izquierda (Convexo-C6ncavo) se pasa a Plano Convexo (derecha) resulta EI igual a la s6gita del arco de su cara anterior.

QUERATOPLASTIA REFRACTIVA

El primer paso consiste en determinar el nuevo valor del radio de la cara anterior del lenticulo que llamaremos radio equivalente, Req.

Ya hemos visto que:

$$El' = S (6,5) \text{ Req.}$$

por consiguiente:

$$\text{Req.} = \frac{(El')^2 + \frac{Zo^2}{4}}{2 \cdot El} = 8,672408$$

Por consiguiente nuestro lenticulo, al volver plana su cara posterior, tiene una cara anterior con radio de 8,672 m. m.

Es fácil imaginar que podemos adelgazar este lenticulo hasta el espesor requerido en el centro, simplemente quitándole un disco de caras paralelas por su lado plano (Fig. 8) con lo que no se altera su poder pero disminuye su diámetro (Zo).

Para determinar este diámetro (Zo') para un espesor dado El'' (el de corte de nuestro microqueratomo), debe aplicarse la siguiente fórmula:

$$Zo = 2 \sqrt{R^2 - (R - S)^2}$$

En nuestro caso:

$$Zo' = 2 \sqrt{\text{Req}^2 - (\text{Req} - El'')^2} = 5,804274 \text{ m. m.}$$

O sea, que la aplanación en el ojo dador, antes de obtener el lenticulo debe ser de 5,8 m. m., para que el lenticulo El'' tallado con 0,5 m. m., de espesor tenga las mismas características del precalculado, El y El'.

Hay que tener en cuenta que al acortar la dimensión del eje anteroposterior del globo intervenido como consecuencia de la disminución de espesor del lenticulo, la corrección obtenida será algo menor.

JOSE I. BARRAQUER M.

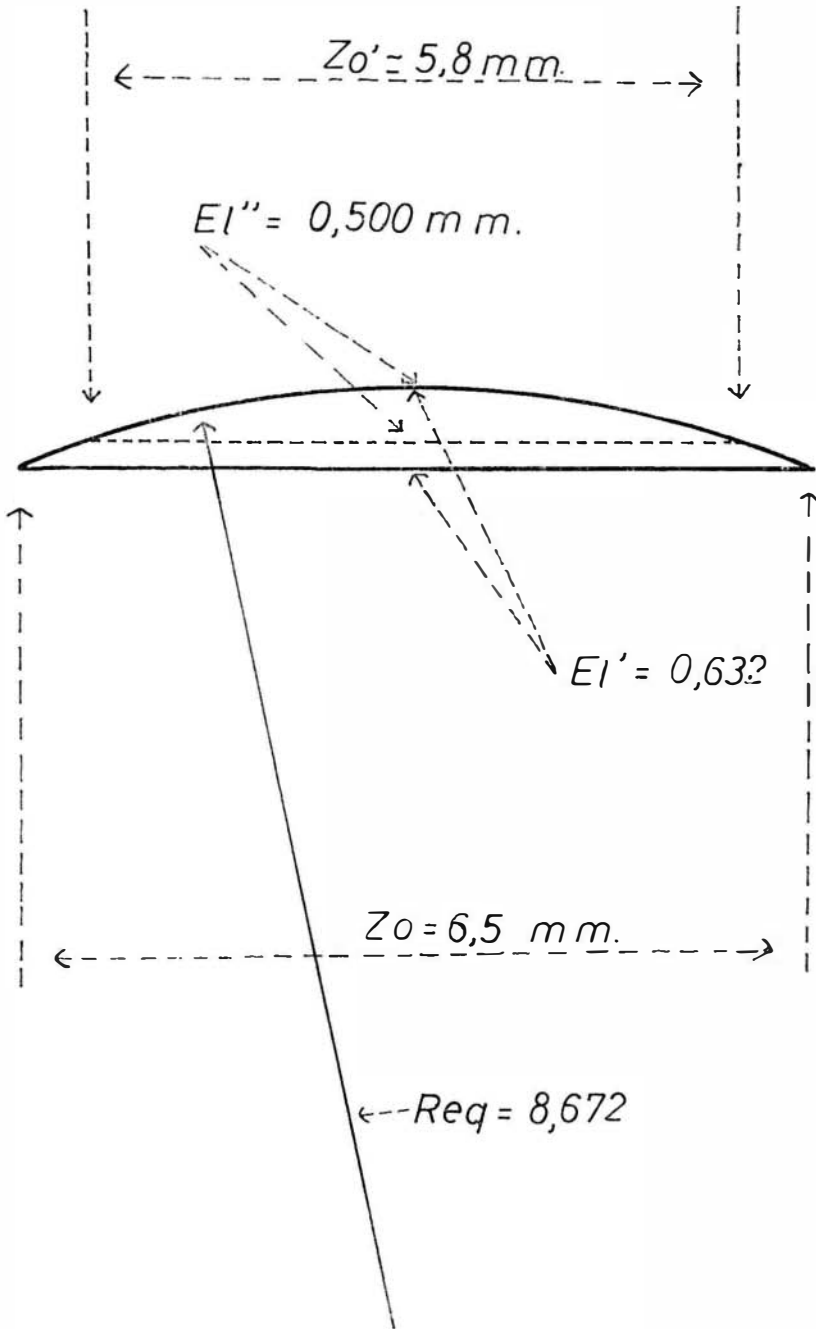


Figura No. 8

A un lente Plano-Convexo, puede quitársele un disco de caras paralelas, modificando su diámetro y espesor, sin variar su poder dióptrico.

XI — CALCULO PER OPERATORIO

El cálculo per-operatorio o sea el cálculo efectuado durante la intervención y a medida que se van conociendo exactamente los parámetros de la intervención, espesor del disco, incrementos, etc., tiene por objeto obtener una mayor exactitud en los valores de E_r' o E_l' y por ende, de R_t' y del desplazamiento.

Puede llevarse a cabo con tablas y una calculadora mecánica pero las posibilidades de error son mayores que si se usa una calculadora electrónica, para raíz cuadrada, tal como la Frieden con capacidad 132 o similar. El uso de un computador programable simplifica y agiliza mucho el trabajo, reduciendo al mínimo el margen de error humano. Este será prácticamente inexistente cuando el computador por medio de cibernética, actúe y regule directamente el torno.

A. Secuencia a seguir con el uso de tablas y calculador mecánico o calculador electrónico:

QUERATOMILEUSIS

- 1) Obtención del disco de tejido corneal.
- 2) Medición de su espesor, E_d .
- 3) Determinación de R_e y R_{sp} .
- 4) Congelación del tejido.
- 6) Medición de su espesor E_d' .
- 7) Determinación del incremento.
- 8) Determinación de R_{sp}' .
- 9) Cálculo de E_r' .
- 10) Cálculo de R_t' .
- 11) Cálculo de E_c' .

- 12) Determinación del desplazamiento.
- 13) Determinación del Angulo Alfa.
- 14) Regulación del torno.
- 15) Talla óptica.

Para llevar a cabo esta técnica deben conocerse pre-operatoriamente los valores de: Ri, Rf, Zo, Rb, Cb, Ch, Czo, Dc.

QUERATOFAGUIA

Son conocidos los valores de Dc, Ri, Rf, Zo, Rb, Cb, Ch, Czo. Si se emplea el método óptico se omiten los tiempos 7 y 8 ya que Icd es conocido pre-operatoriamente.

- 1) Obtención del disco de tejido corneal.
- 2) Medición de su espesor Ed.
- 3) Determinación de Re y Rsp.
- 4) Determinación de El.
- 5) Obtención del disco dador.
- 6) Medición del mismo, Edd.
- 7) Determinación de Ecd.
- 8) Cálculo de Icd.
- 9) Congelación del disco dador.
- 10) Determinación de Edd'.
- 11) Cálculo de El'.
- 12) Cálculo de Rt'.
- 13) Cálculo del Angulo Alfa.
- 14) Cálculo del desplazamiento.
- 15) Regulación del torno.
- 16) Talla óptica.

B. Utilizando un computador programable

El uso de un computador requiere una programación previa que será registrada en una tarjeta "ad-hoc" y estará a nuestra disposición para su uso tantas veces como sea necesario. En las tarjetas están registradas las operaciones aritméticas que automáticamente la máquina efectuará al serle suministrados en un determinado orden los datos precisos.

QUERATOPLASTIA REFRACTIVA

Personalmente utilizamos una Olivetti 101, máquina cuyos programas pueden ser archivados en tarjetas magnéticas.

Queratomileusis para la corrección de la miopía. (Programa Fig. 9)

Datos que deben conocerse: R_i y D_c .

Introducir en la máquina en este orden: R_i , E_d , D_c , E_d' .

Cálculo per-operatorio:

- 1) Obtención del disco corneal.
- 2) Medición del mismo E_d . Introducirlo en la máquina.
- 3) Congelación del disco.
- 4) Medición de E_d' e introducirlo en la máquina, la cual da automáticamente los valores de E_r' , R_t' , desplazamiento y Angulo Alfa.
- 5) Regulación del torno.
- 6) Talla óptica.

NOTA: Para la corrección de hipermetropía hasta de 6 dioptrías el orden a seguir es el mismo, utilizando el programa que se muestra en la Fig. 10.

Queratofaquia para la corrección de hipermetropía. (Fig. 11).

Conocidos D_c y R_i :

- 1) Obtención del disco corneal.
- 2) Medición de E_d . Introducirlo en la máquina.
- 3) Obtención del disco dador.
- 4) Medición de E_{dd} , anotarlo.
- 5) Determinación de E_{cd} , introducirlo en la máquina.
- 6) Congelación del disco dador.
- 7) Medición del espesor del disco congelado E_{dd}' .
- 8) Introducir E_{dd}' . Introducir E_{dd} .

La máquina da automáticamente los valores de R_t , E_l' , desplazamiento y Angulo Alfa.

- 9) Regulación del torno.
- 10) Talla óptica.

PROGRAMA PARA OLIVETTI 101 - QUERATOMILEUSIS

Rb= 8.000 ; Zo= 6.000 ; CZo= 0.300

V	B ↓	b ↑	R ↑	
S	a ↑	a ↑	R S	
↓	R ↓	d 0	d S	
b ↑	d S	c ↑	+	
S	-	↓	A 0	
B ↑	a ↑	C -	-	
-	R ↓	B ↓	B ↓	
AX	R ÷	B ↓	c ↓	
c ↑	R ↑	AX	B -	
a ↑	d S	a ↑	a ↑	
d *	X	d *	R ↓	V
-	C ↑	-	d S	Ri 7.700 S
A √	C -	A √	-	Ed 0.280 S
c ↓	B -	B ↓	A 0	Dc -12.00 S
c -	AX	B -	a ↑	Ed' 0.310 S
c ↓	b ↑	b +	R -	
S	a ↑	AX	R 0	Er' 0.18491059 A 0
↓	d *	B ↑	d ↑	Rt' 5.53026956 A 0
b X	-	a ↑	↓	Dp 2.38973044 A 0
a ↑	A √	R ↑	B ‡	Alfa 30.25714009 A 0
r X	c ↓	R ↑	a ↑	
R ‡	b -	R ↓	R -	
D ‡	c +	d 0	r 0	
‡	B ‡	+	D -	
A ‡	S	B ↓	X	
+	C ↑	A +	A 0	
b ↑	X	B ↓	/ 0	
b ‡	/ 0	B ‡	V	
C ↓	A 0	a ↑	S	

Figura No. 9

Programación, para Olivetti 101,
para el cálculo de la Queratomi-
leusis para corrección de Miopia.

QUERATOPLASTIA REFRACTIVA

PROGRAMA PARA OLIVETTI 101

QUERATOMILEUSIS HIPERMETROPICA

Rb= 8.000 ; Zo= 8.000 ; CZo= 0.4

V	D :	C †	a †		
S	+	X	R +		
↓	A †	/ 0	R +		
b †	+	A 0	r +		
S	b †	b †	D ↓		
B †	b †	a †	+		
-	B -	d 0	B †		
AX	C †	c †	A +		V
c †	C ↓	↓	B †	Ri 7.650	S
a †	AX	C -	B †	Ed 0.350	S
r X	a †	B †	a †	Dc 4.50	S
D ↓	r X	B ↓	R †	Ed' 0.380	S
-	D ↓	AX	RS		
A /	-	a †	d S	Er' 0.15414022	A 0
c †	A /	r X	+	Rt' 7.87627747	A 0
c -	C †	D ↓	A 0	Dp 0.23627747	A 0
c †	C -	-	-		
S	†	A /	C -		
↓	c ↓	B †	C +		
b X	†	B -	A 0		
a †	-	b -	/ 0		
r X	B †	AX	V		
R †	S	B †	S		

Figura No. 10

Programación, para Olivetti 101, para cálculo de la Queratomileusis, para corrección de Hipermetropía.

PROGRAMA PARA OLIVETTI 101 - QUERATOFAQUIA

Rb= 6.000 ; Zo= 6.000 ; CZo= 0.300

V	A√	b †	RS		
a †	b †	/ 0	d S		
r X	b -	b 0	+		
R †	b †	b ↓	B †		
D †	B ↓	a †	B 0		
b †	AX	R 0	B ↓		
↓	C -	R +	-		
S	A√	R 0	c †		
B †	B †	R †	c ↓		
‡	B -	RS	b +		V
S	b †	R 0	a †	Ri	8.187 S
+	b -	d S	d X	Dc	12.00 S
b †	C †	‡	-	Ed	0.320 S
b †	S	-	A 0	Ecd	0.850 S
b †	↓	B †	a †	Edd'	0.550 S
S	a †	B ↓	R -	Edd	0.530 S
c †	R -	AX	R 0		
b ↓	R -	a †	d †	El'	0.29103621 b 0
-	d S	R †	↓	Rt'	9.95052044 B 0
b †	-	R †	c †	Dp	4.22155665 A 0
B ↓	‡	R*	a †	Alfa	16.78915017 A 0
-	CX	d*	R -		
B †	c †	+	r 0		
b ↓	S	B †	D -		
AX	↓	a †	X		
a †	CX	d †	A 0		
d*	S	‡	V		
C †	‡	a †	S		
-	c +	R †			

Figura No. 11

Programación, para Olivetti 101,
para cálculo de la Queratofoquia.
Rb = 6,000 m. m.

QUERATOPLASTIA REFRACTIVA

PROGRAMA PARA OLIVETTI 101 - QUERATOFAGUIA

Rb= 6.500 ; Zo= 6.000 ; CZo= 0.300

V	A√	‡	RS		
a †	b †	c +	d S		
r X	b -	b †	+		
R ‡	b †	/ 0	B †		
D †	B †	b 0	B 0		
b †	AX	b †	B †		
↓	C -	a †	-		
S	‡	R ‡	c †		
B †	‡	R †	c †		
‡	A√	R †	b +		V
S	B †	R ‡	a †	Ri	7.850 S
+	B -	d S	R -	Dc	8.50 S
b †	b †	‡	d X	Ed	0.310 S
b ‡	b -	-	-	Ecd	0.800 S
b †	C †	B †	A 0	Edd'	0.570 S
S	S	B †	± †	Edd	0.530 S
c †	↓	AX	R -		
b †	a †	a †	R 0	El'	0.19876106 B 0
-	R -	R †	d †	Rt'	9.56142510 B 0
b †	R -	R †	↓	Dp	3.24018616 A 0
B †	d S	R*	c ‡	Alfa	17.47380433 A 0
-	-	d*	a †		
B †	‡	+	R -		
b †	CX	B ‡	r 0		
AX	c †	a †	D -		
a †	S	d †	X		
d*	↓	‡	A 0		
C †	CX	a †	V		
-	S	R †	S		

Figura No. 12

Programación para Olivetti 101,
para cálculo de la Queratofoquia.
Rb = 6.500 m. m.

XII — COMPROBACION DE LOS RESULTADOS

La mejor y más simple comprobación del resultado obtenido en una intervención refractiva, consiste en la comparación del resultado del examen de refracción pre-operatorio y post-operatorio así como de las agudezas visuales para lejos y cerca con y sin corrección óptica antes y después del tratamiento.

Hay casos en los que se desea evaluar más analíticamente el resultado de la intervención y conocer en qué grado han sido modificados los diferentes elementos que constituyen el dióptrico corneal.

Los datos fundamentales que deben compararse con los pre-operatorios son:

- 1) Oftalmometría topográfica de la superficie anterior.
- 2) Espesor corneal en el vértice.
- 3) Radio de la superficie corneal posterior.

Una vez conocidos estos datos podrá determinarse el valor refractivo de la córnea en cada uno de sus meridianos principales utilizando la fórmula habitual de lentes gruesos:

$$D_1 + D_2 + \frac{E}{n} = D_1 \cdot D_2 \quad \text{En metros} \quad (25)$$

O la fórmula de Littmann para poder dióptrico de la córnea:

$$D = \frac{1.000}{1,838336 \cdot Ri \cdot Rcp} \cdot 1,376 (0,376 \cdot Rcp - 0,040 \cdot Ri) + (Ei \cdot 0,01504) \cdot 1,336 \quad (26)$$

Del estudio comparativo podrá deducirse si la modificación quirúrgica ha sido solamente sobre la cara anterior, si ha habido modificación en la curvatura de la cara posterior, y si el espesor corneal ha sufrido modificación por acción del proceso regenerativo.

Estas comprobaciones son particularmente interesantes en los casos con varios años de evolución. En este caso si se trata de miopías, la exploración debe complementarse con la medición del eje anteroposterior del globo ocular.

XIII — CONCLUSIONES

Los cálculos matemáticos, para la corrección de una ametropía por medios quirúrgicos, son relativamente sencillos, factor éste importante para disminuir las causas de error.

El uso de tablas simplifica mucho la labor cuando no se dispone de una calculadora adecuada.

El cálculo per-operatorio es más exacto y rápido si se utiliza un computador programable.

Para un futuro próximo, está previsto un ordenador que procederá automáticamente, a las mediciones, cálculo, regulación del torno y talla óptica, dejando al cirujano el cuidado de obtener la resección y suturarla de nuevo en su lugar, una vez modificado automáticamente el tejido.

Llegar al estado actual de la técnica ha requerido 20 años de experimentación animal y 6 de práctica clínica. Automatizar el método no es más que una cuestión económica.

BIBLIOGRAFIA

1. **Barraquer, José I.** (1948) — Queratoplastia. Est. e. Inf. Oftal., **1**, 10.
2. **Barraquer, José I.** (1958) — Method for Cutting Lamellar Grafts in Frozen Cornea. New Orientation for Refractive Surgery. (Previous Note). Arch. Soc. Amer. Oftal. Optom., **1**, 271.
3. **Barraquer, José I.** (1958) — Método para la Talla de Injertos Laminares en Córnea Congelada. Nueva Orientación para la Cirugía Refractiva. (Nota previa). Arch. Soc. Amer. Oftal. Optom., **1**, 237.
4. **Barraquer, José I.** (1964) — Tablas para Cálculo de la Queratomileusis. Monografía del Instituto Barraquer de América. Editorial Antares, 3er. Mundo, Bogotá.
5. **Barraquer, José I.** (1966) — Tablas Complementarias para Cálculo de la Queratomileusis. Monografía del Instituto Barraquer de América. Editorial Antares 3er. Mundo. Bogotá.
6. **Littmann Hans.** (1967) — Optics of Barraquer's Queratomileusis. Arch. Soc. Amer. Oftal. Optom., **6**, 103.
7. **Milton, Kaplan.** (1969) — Refractive Keratoplasty Vergency Calculations. Arch. Soc. Amer. Oftal. Optom., **7**, 109.
8. **Milton Kaplan.** — Comunicación Personal.
9. **Barraquer, J. I., Henao, H.** (1969) — Exploración Funcional en Quera-
toplastia Refractiva. Arch. Soc. Amer. Oftal. Optom., **7**, 13.
10. **Girard Louis.** (1964) — Corneal Contact Lenses. The C. V. Mosby Com-
pany, Saint Louis. U. S. A.
11. **Barraquer, José I.** (1964) Conducta de la córnea frente a los cambios
de espesor. Arch. Soc. Amer. Oftal. Optom. **2**, 81.

THE OPTICS INVOLVED IN CORRECTING AMETROPIC EYES WITH THE AID OF KERATOMILEUSIS AND KERATOPHAKIA *

By

HANS LITTMANN, Ph. D.

Oberkochen - Germany

The methods of surgical correction of ametropic eyes developed to great perfection by Dr. José I. Barraquer require exact knowledge of the essential optical properties of the eye. These optical conditions will here be explained in an easily understandable manner and without going into an unnecessary sources of error and their effect on the result of the surgical correction. Finally, the aphakic eye will be discussed in particular.

Keratomileusis and keratophakia serve to vary the curvature of the anterior corneal surface and the thickness of the cornea in order to compensate an existing ametropia. Let us assume that the surgical method as such is known¹. There is no basic difference between the two methods as far as optics are concerned. For each of the methods we have to determine the modification of the cornea required to make the affected eye emmetropic. A mathematically exact answer to this question has already been given². The present paper is intended to explain the underlying idea of the computation, but not the computation proper.

Fig. 1 shows the elements of the eye that are essential for optical image formation, a myopic eye having been chosen as an example. With relaxed accommodation, the remote point P is imaged on the fovea P₁ by the entire optical system of the eye. In this process, the image-forming light rays are refracted by four surfaces. The first refraction takes place at the front curvature of the cornea so that the ray which in Fig. 1 emanates from P is directed at the point P₁ in the interior of the cornea after

* Lecture delivered at the V International Course of Ophthalmology. Instituto Barraquer. Barcelona. May 1969.

passing through the aforementioned surface. P_1 is the image of P formed by the anterior corneal surface. The position of P_1 is affected by:

1. The radius r of the front surface of the cornea;
2. the refractive index n_1 of the substance of the refracting surface (in the present case, air $n_1 = 1$),
3. the refractive index n_2 of the corneal substance,
4. the distance from the far point P to the vertex of the cornea S_1 .

After the ray has covered the distance d in the cornea, it is refracted a second time by the back surface of the cornea. After this refraction the ray proceeds in the interior of the anterior chamber towards the second image point P_2 . This new direction is determined by the radius of the posterior corneal surface and the refractive index n_3 of the aqueous as well as the refractive index n_2 of the corneal substance. The following two changes in direction occur at the front surface (image point P_3) and the back surface (image point P_4) of the lens. P_4 lies on the fovea of the eye.

P_1 , P_2 , P_3 and P_4 are optically conjugated images. An image formed by the front surface of the cornea at P_1 is automatically passed on via P_2 and P_3 to P_4 , and imaged on the fovea. To correct an ametropic eye it is therefore sufficient to vary the curvature and thickness of the anterior corneal surface so that it is not P but infinity, i.e. a ray incident on the cornea parallel to the optical axis, that is imaged at P_4 (Fig. 2). In the present example of a myopic eye, this could be achieved by flattening the front surface of the cornea accordingly, i.e. by increasing its radius.

The computation is considerably simplified by the fact that the image of P_1 at P_4 need not be known for the calculation. However, this requires that the curvature of the posterior corneal surface and the location and curvature of the lens remain unchanged. The following formula (1) indicates the radius r_c which the front surface of the cornea must acquire in order to correct the ametropia of the eye. This formula applies exactly for any type of ametropia, i.e. both for axial ametropia and refractive ametropia as for aphakic eyes. An important fact in its application is that the formula contains only quantities that can easily be measured or, like n_2 , are known with sufficient accuracy. The formula, derived earlier², reads:

$$r_c = \frac{r}{\frac{r \cdot D}{1000 (n_2 - 1)} + 1} - \frac{n_2 - 1}{n_2} (d - \frac{d}{c}) \quad (1)$$

were

KERATOMILEUSIS AND KERATOPHAKIA

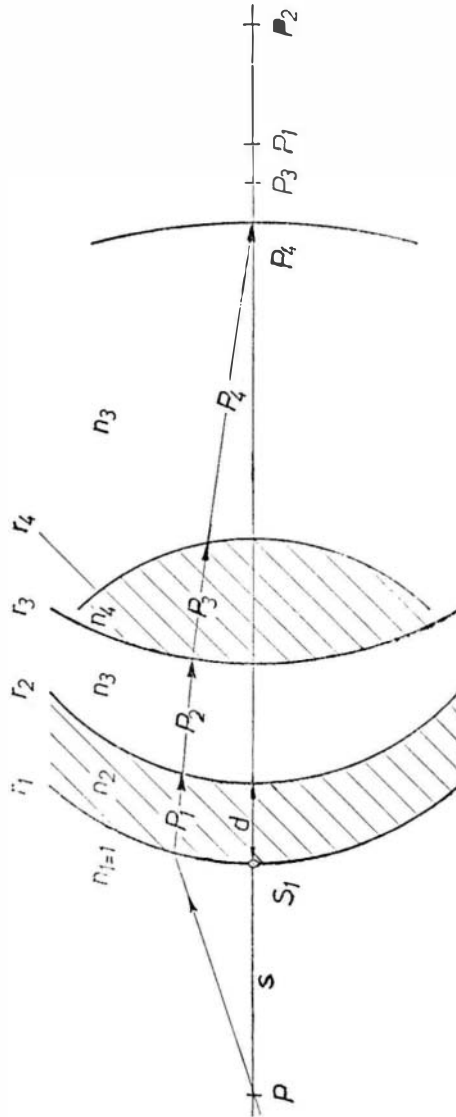


Figure No. 1

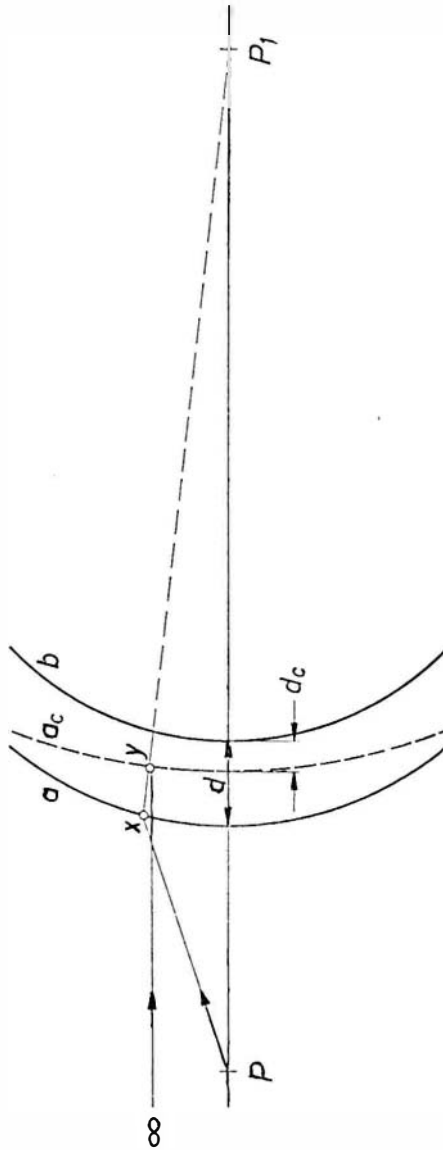


Figura No. 2

KERATOMILEUSIS AND KERATOPHAKIA

r = radius of the anterior corneal surface of the ametropic eye before surgery

cr = radius of the anterior corneal surface after surgical correction to obtain emmetropia

d = thickness of the cornea before surgery

dc = thickness of the cornea after surgical correction to obtain emmetropia

n_2 = refractive index of corneal substance

D = ametropia to be corrected.

As usual, D is defined as the reciprocal distance s of the far point from the vertex of the cornea. If the far point lies in front of the vertex S_1 , as in Fig. 1, i.e. if the lines s from the vertex to the far point runs from right to left, then s is negative.

$$\text{Example: } s = -100 \text{ mm. } D = \frac{1000}{s} = \frac{1000}{-100} = -10 \text{ dpt myopia.}$$

In keratomileusis, dc results more or less automatically from the method of operation. In keratophakia, dc is essentially determined by the thickness of the transplanted cornea. If dc is known, the radius rc to be generated by surgery can be determined with the aid of (1).

The success of the operation is largely dependent on how accurately the values rc and dc determined by (1) can be obtained. However, it also depends on the accuracy which the other magnitudes of (1) are known. If these magnitudes are not known exactly, it will be impossible to correct the ametropia D completely. A residual ametropia ΔD will remain. In the following, the effect of these errors on the result of the computation according to formula (1) will be discussed.

1. Varying r

An error Δr in the measurement of the anterior corneal surface's radius of curvature will cause a residual amount of ametropia after surgery of

$$\Delta D = - \frac{1000 (n_2 - 1)}{r^2} \cdot \Delta r \text{ dpt} \quad (2)$$

$$\text{Example: } r = 7,7 \text{ mm. } n = 1.376 \quad \Delta D = - 6.3 \Delta r \text{ dpt}$$

A measuring error of $\Delta r = \pm 0.02 \text{ mm.}$ thus gives rise to a residual ametropia of $\Delta D \pm 0.13 \text{ dpt.}$

This accuracy can be obtained by careful ophthalmometric measurement so that errors of correction exceeding approx. 0.2 dpt need hardly be expected as a result of erroneous determination of radii.

2. Varying $d - dc$

Formula (1) contains the difference in corneal thickness before and after correction. Consequently, an error in the measurement of both thickness difference will also affect the correction, with.

$$\Delta D = \frac{(D + \frac{1000 (n_2 - 1)}{r})^2}{1000 \cdot n_2} \cdot \Delta (d - dc) \text{ dpt} \quad (3)$$

being the residual ametropia after correction.

Example: $r = 7.7 \text{ mm}$. $\Delta (d - dc) = 0.1 \text{ mm}$, $n_2 = 1.376$

D	ΔD
+ 20 dpt	+ 0.34 dpt
+ 10	+ 0.25
-- 10	+ 0.11
- 20	+ 0.06

This right-hand column of the table indicates the residual ametropia caused by an error of 0.1 mm. in determining the thickness difference. This table clearly shows that accurate measurement of thicknesses is indispensable, above all when correcting hypermetropic eyes.

3. Varying n_2

The refracting power of the corneal substance is not measured in every single case. Instead, an average value of $n_2 = 1.376$ is assumed. If the refractive index deviates from this value by Δn_2 , a residual ametropia of

$$\Delta D = - \frac{\Delta n_2}{n_2 - 1} \cdot D = - \frac{\Delta n_2}{0.376} \cdot D \quad (4)$$

will remain after correction. For example, if the corneal substance has a refractive index of 1.386 instead of 1.376, then $\Delta n_2 = + 0.01$. This gives the residual ametropia listed in the right-hand column of the table below.

D	ΔD
+ 20 dpt	-- 0.53 dpt
+ 10	-- 0.27
-- 10	+ 0.27
- 20	+ 0.53

KERATOMILEUSIS AND KERATOPHAKIA

As a result, hypermetropic eyes will be slightly myopic after surgery, and myopic eyes slightly hypermetropic.

According to earlier publications³, it may be assumed that the refractive index of the cornea will not deviate from the standard value by more than $\Delta n = + 0.004$. The residual ametropia is then less than half the values given.

4. Varying r_2

The radius r_2 of the posterior corneal surface is not contained in formula (1) since this formula is based on the assumption that the curvature of the the back surface of the cornea is not changed by the operation. In spite of this, however, it may be useful to study the effect which a possible variation of r_2 would have on the correction. Since the refractive index of the cornea varies only slightly from that of the aqueous, a variation of r_2 will have only a minor effect on the correction, viz. an average of 1/9 of the amount which would be introduced by a variation of the curvature of the anterior corneal surface.

Example: if the radius of the anterior corneal surface of an emmetropic eye is increased by 0.1 mm., the eye will become hypermetropic by 0.63 dpt. By comparison, an increase in the radius of the back surface of the cornea by likewise 0.1 mm. will result in a hypermetropia of only 0.07 dpt. It will thus actually be possible to neglect the posterior corneal surface.

The aphakic eye

The above statements—including formula (1)—apply without restriction to the aphakic eye as well. After removal of the lens, we obtain a hypermetropia of $D = + 12.9$ dpt. as standard value for the originally emmetropic Gullstrand's eye. To correct this, the radius of the anterior corneal surface would have to be reduced from 7.7 mm. to 6.1 mm., which is practically impossible without implanting corneal substance. As is known, this is one of the reasons why keratophakia was introduced.

A special situation results if the ametropia of an aphakic eye is to be corrected by keratophakic surgery, in which case the corneal data required for substitution in formula (1) cannot be computed because the ametropia of the eye cannot be measured as long as it contains the turbid lens.

Since the aphakic eye is a very simple optical system, the radii of curvature r_1 and r_2 and the refractive index of the cornea alone suffice to compute the ametropia which the eye will have after removal of the lens.

provided that the axial distance l , i.e. the distance from the fovea to the front vertex of the cornea, is known. As reported by Gernet⁴, the axial distance can be measured to within approx. $+ 0.3$ mm. to ± 0.5 mm. by ultrasonic means.

The exact computation of ametropia making allowance for refraction by the two corneal surfaces can in this case be replaced by a simplified calculation in which only the front surface of the cornea is taken into account, provided that a substance with a refractive index $\bar{n} = 1.331$ is assumed behind this surface. The simplified formula can be written as:

$$D = 1000 \left(\frac{\bar{n}}{l} - \frac{(\bar{n} - 1)}{r} \right)$$

or, if the value \bar{n} is substituted,

$$D = \frac{1331}{l} - \frac{331}{r} \text{ dpt} \tag{5}$$

In this formula, the axial distance l and the radius r of the front surface of the cornea must be (substituted) given in millimeters. Use of this simple formula is permissible because it determines ametropia over the entire practical range to within ± 0.04 dpt—an error that is negligible compared with the effect of the uncertainty of l .

Now there remains to be seen to what extent a measuring error Δl of the axial distance l will affect the computed ametropia D . The error ΔD of ametropia is

$$\Delta D = - \frac{\left(D + \frac{331}{r} \right)^2}{1331} \cdot \Delta l \text{ dpt} \tag{6}$$

if we assume $r = 7.7$, then a measuring error of $\Delta l = \pm 0.5$ mm. will give rise to the errors of ametropia given in the right-hand column of the table below.

D	Δ D
+ 20 dpt	— 1.5 dpt
0	— 0.7
— 20	— 0.2

Summary

Keratomileusis and keratophakia serve to correct ametropic eyes by varying the curvature of the front surface and the thickness of the cornea.

KERATOMILEUSIS AND KERATOPHAKIA

The same exact formula holds for each of the two methods. This formula contains only easily measurable or known quantities.

A detailed discussion of errors shows the residual ametropia caused by errors in the measured quantities.

Finally, correction of the aphakic eye is discussed, in which the degree of ametropia cannot be optically determined prior to surgery due to the turbidity of the lens.

The degree of ametropia can in this case be computed if the axial distance is determined by ultrasonic means. Possible errors are discussed as well.

Literature

- 1) **Barraquer, José I.** — Keratomileusis and Keratophakia. Second International Corneo-Plastik Conference. London, 1967.
Kaplan, Milton. — Refractive Keratoplasty - Vergency Calculations. Arch. Soc. Amer. Oftal. Optom. **7**, 109 (1969).
- 2) **Littmann, H.** — Optics of Barraquer's Keratomileusis. Arch. Soc. Amer. Oftal. Optom. **6**, 103 (1967).
- 3) **Tabulae Biologicae** — Vol. XXII (Oculus). Pars. 3, Fasc. 4. Uitgeverij Dr. W. Junk's Gravenhage, 1969.
- 4) **Gernet, H.** — Ultraschall-Biometric des Auges. Klin. Md. **151**, 853 (1967). (1967).

ANISEICONIA EN ESTRABISMO CON AUSENCIA DE CORRESPONDENCIA RETINAL

Por

HARTMUT WEBER, O. D.

Bogotá - Colombia.

I. INTRODUCCION

La aniseiconia es dada a conocer en el año de 1864 por Donders, quien la atribuía a Anisometropías.

Desde entonces se ha escrito muy poco acerca de la aniseiconia, y algunos autores la consideran de poca importancia, cuando encuentran una diferencia mayor de 5%. Quizás esta sea la razón por la cual a la aniseiconia se haya restado interés por parte de los profesionales.

Este trabajo tiene por objeto señalar la importancia que tiene la aniseiconia en el campo del estrabismo. Con él se quiere demostrar la utilidad que puede tener su diagnóstico y corrección para el especialista, y se basa en la experiencia adquirida en los últimos 3 años en más de 200 casos de estrabismo por aniseiconia, 39 de estos casos tenían ausencia de fusión y ausencia de Correspondencia Retinal.

II. CLASIFICACION DE LA ANISEICONIA

En la actualidad se clasifican las aniseiconias de la siguiente manera:

1º Aniseiconia Optica:

- a) Por Ametropía Axiales.
- b) Por Ametropías Refractivas.
- c) Por Astigmatismo.

2º Aniseiconia Funcional:

Por aniseiconia funcional se entiende aquella causada en las vías de transmisión o en el córtico.

3º Aniseiconia Orgánica:

A este tipo de aniseiconia se supone que es causada por los diferentes tamaños o cantidades de conos o bastones en la retina entre un ojo y el otro.

A esta clasificación se podría agregar este otro grupo: **Aniseiconias Ópticas no simultáneas.**

Este tipo de aniseiconia se presenta en los casos post-operatorios de cataratas, cuando se pone al paciente por primera vez, la nueva corrección óptica, y por tal motivo se le dificulta la comparación con sus recuerdos ópticos.

III. ANISEICONIA POR AMETROPIAS

Cuando se habla de aniseiconia casi siempre se entiende bajo ello, aniseiconia óptica; pero nuestra experiencia nos ha demostrado que este tipo de aniseiconia es la menos frecuente. En los casos de estrabismo hemos encontrado que las aniseiconias más bien son funcionales.

Para asimilar mejor los medios de corrección de las aniseiconias vamos a analizar primero las características de las aniseiconias ópticas.

Las aniseiconias ópticas causadas por Ametropías se pueden clasificar por su origen en dos grupos:

a) Ametropías Axiales.

b) Ametropías Refractivas.

a) Comprende aquellas que son causadas únicamente por modificación de la longitud axial del globo ocular, ya que éste sea mayor o menor de lo normal, mientras que el poder Óptico continúa igual en ambos ojos.

b) Se entiende simplemente una Ametropía que es causada por diferente poder dióptrico entre ambos ojos, bien sea por poder dióptrico en la córnea o en el cristalino, o por diferentes posiciones del mismo.

En las gráficas 1, 2 y 3 se muestra en qué forma varía el tamaño de la imagen Retiniana por la posición del lente correctivo en las ame-

ANISEICONIA

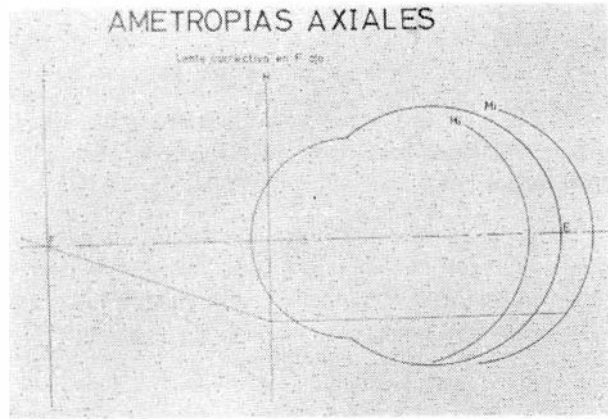


Figura No. 1

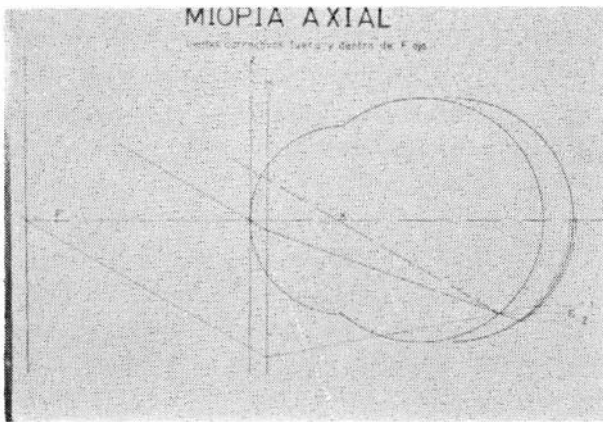


Figura No. 2

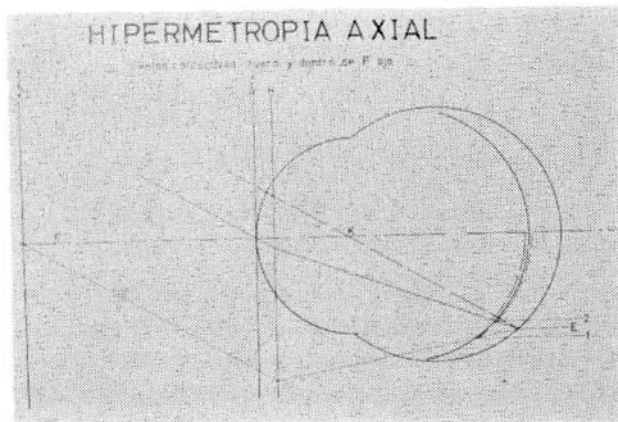


Figura No. 3

tropias axiales y se aprecia perfectamente en la gráfica N° 1 que cuando los planos mayores del Lente Correctivo están coincidiendo con el foco del ojo; no se obtiene ningún aumento del tamaño de imagen por grande que sea la anisometropía.

Las gráficas 4, 5 y 6 muestran esta vez los casos de Ametropias por Refracción.

Como se puede apreciar, en ningún caso encontramos una neutralidad en el aumento de imágenes, debido a que no nos es posible colocar los planos mayores de los Lentes Correctivos, en los planos mayores del ojo. Como bien se puede apreciar, en estos casos la mejor corrección se obtiene mediante el uso de los Lentes de Contacto.

La gráfica N° 7 muestra la curva de aumento que causan las Ametropias Axiales con Lentes Correctivos de curvas corregidas en una distancia de vértice de 12 mm. y la gráfica N° 8 muestra esta misma curva para las Ametropias Refractivas.

Como bien se puede observar, la diferencia entre uno y otro es apreciable, lo cual nos permite utilizar este fenómeno para la corrección de las aniseiconias, como más adelante se verá.

IV. DIAGNOSTICO DE ANISEICONIA

El diagnóstico de las aniseiconias en estrabismo no es sencillo ya que el paciente no llega a reportar sintomas muy definidos, ellos son así como ausencia de fusión. En algunos casos el paciente se queja de que debe cerrar un ojo cuando la luz del sol es muy fuerte, frente al troposcopio se presentan en casi todos los casos fenómenos de salto en una o en las tres amplitudes de fusión como son:

GRADO 1º — Amplitud de fusión periférica.

GRADO 2º — Amplitud de fusión paramacular.

GRADO 3º — Amplitud de fusión macular con estereopsis.

Otros indicios de una posible aniseiconia son los reportes de los pacientes sobre el comienzo del estrabismo, por ejemplo:

Después de alguna enfermedad eruptiva como Sarampión, Varicela y aun Meningitis, o después de un fuerte traumatismo craneal. Naturalmente que todos estos síntomas enumerados no pueden tener únicamente la conclusión aniseiconia, pero en nuestra experiencia hemos encontrado prácti-

ANISEICONIA

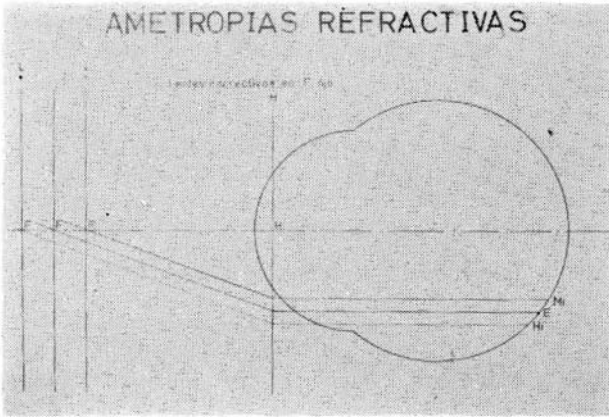


Figura No. 4

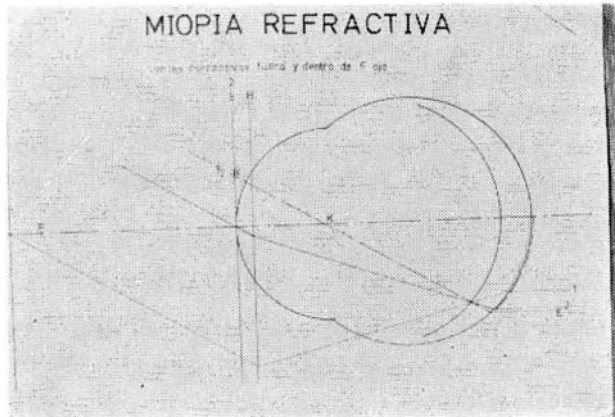


Figura No. 5

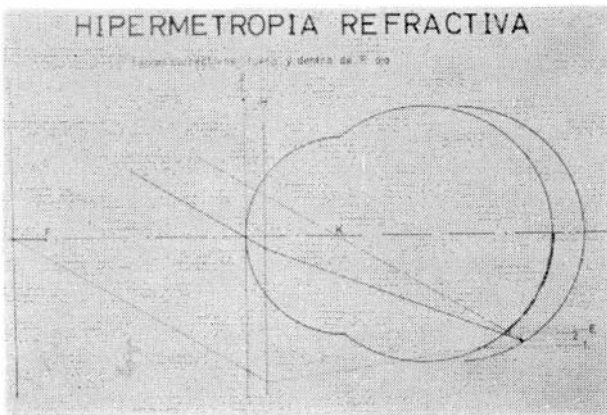


Figura No. 6

mente un ciento por ciento de positividad. Una vez diagnosticada la aniseiconia y teniendo en cuenta el Estado Refractivo, el cual en muchos casos puede ser en ambos ojos igual y hasta emétrope, deberá hacerse un estudio ecográfico para determinar si el estado refractivo es causado por modificación en la longitud del globo, cambio de posición del cristalino, etc.

Encontramos un hecho muy importante el cual consiste, en que cuando hay un estrabismo convergente, el ojo con la imagen mayor, es el ojo no dominante y cuando hay un estrabismo divergente, el ojo con la imagen mayor es el dominante.

Si se ve que no hay factor refractivo que pueda haber causado la aniseiconia, es aconsejable hacer un estudio electro-retinográfico, para ver si se encuentra de esta manera alguna causa.

En todos nuestros casos ¹⁰ hemos encontrado que en los electroencefalogramas, existen pequeñas diferencias en voltajes entre los centros corticales correspondiente al ojo derecho y ojo izquierdo (ver gráfica N° 9, como ejemplo), obteniéndose siempre menor voltaje en el centro para el ojo con la imagen menor. Esto no ocurre con el Electro-retinograma, ya que en éstos hemos encontrado que puede intercambiarse, aunque en la mayoría de los casos se obtiene también menor voltaje en el ojo con la imagen menor.

V. LA MEDICION DE LA ANISEICONIA

La medición de la aniseiconia se lleva a cabo mediante diferentes sistemas, el primero y más conocido, es el Eiconómetro, de la American Optical.

Este aparato tiene la desventaja de que mide únicamente hasta un 5% tanto en la posición horizontal como en la vertical y solamente es utilizable en pacientes que tengan fusión.

La gráfica N° 10 muestra la imagen que se ve en el Eiconómetro de la American Optical.

Otra prueba es la de Turville, quien diseñó dos ganchos, como se ve en la gráfica N° 11. Con este test solamente se mide si hay o no, aniseiconia, pero no se puede medir el grado. Este test fue mejorado por la Escuela de Optometría de Berlín, de tal manera que cada línea horizontal tiene un grosor de $3\frac{1}{2}\%$ de la totalidad de la figura. El suscrito, utilizó la misma figura de este test, pero utilizando únicamente líneas de un espesor de 5% de la totalidad de la figura, y agregándole a una de las dos figuras cuatro cuadros de un espesor también de 5% y dejando entre cada cuadro un 5% de espacio, como se ve en la gráfica N° 12.

ANISEICONIA

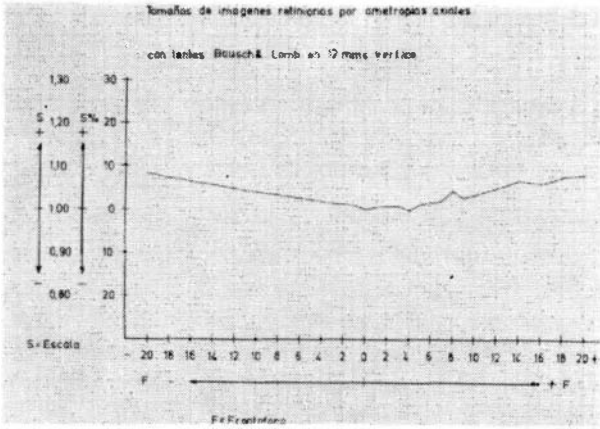
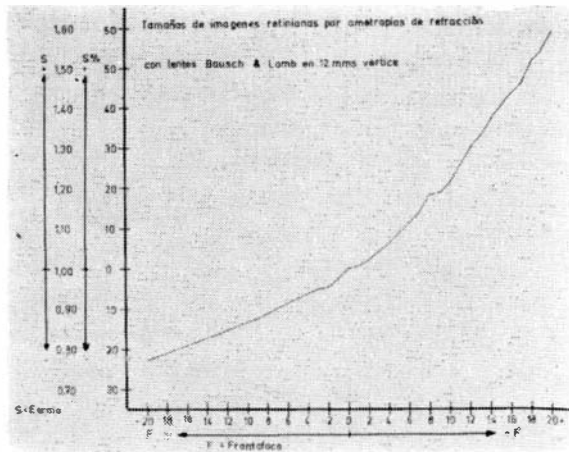


Figura No. 7

Figura No. 8



Con este sistema se puede medir teóricamente de un 2½% hasta un 50% de aniseiconia. Estos fueron diseñados para usarlos en el troposcopio de la American Optical.

Además de estos tests utilizamos otros para comprobar fusión, hechos en escala del 5% y utilizando así el fenómeno de Herzau-Ogle. Estos últimos están diseñados para la fusión de 1º, 2º y 3er. grado.

En algunos casos cuando hay fijación excéntrica no se puede medir con ninguno de los tests anteriormente descritos; se deberá entonces utilizar un cuarto con luz tenue y colocar sobre una pared blanca un cuadro negro y dejarlo observar por el paciente con uno o el otro ojo, el paciente notará con un ojo la imagen más cerca y más grande que con el otro, en estos casos deberá procederse en primer lugar al tratamiento de la ambliopía, oclusión, pleóptica, etc. Una vez conseguida la recuperación del ojo Ambliope, podrá iniciarse el tratamiento de la aniseiconia.

VI. CORRECCION DE LA ANISEICONIA

La corrección de la aniseiconia de cualquier origen solo se puede obtener hasta el presente, mediante tres procedimientos, los cuales tienden a aumentar el tamaño de la imagen menor, que por razones ópticas es más simple que disminuir el tamaño de la imagen mayor:

1º Por medio de un sistema telescópico, combinación de lente de contacto y antejo corriente, el primero de los cuales crea una ametropía refractiva del grado adecuado y que es corregida por el antejo de 12 m. m. del vértice para obtener la magnificación necesaria.

2º Mediante Lentes Eicónicas, estos lentes actúan variando la posición de los planos mayores, lo que se obtiene variando su curvatura y espesor.

3º Modificando quirúrgicamente el poder dióptrico del ojo, ya sea actuando sobre la córnea, Queratomileusis o Queratofaquia, o procediendo a la extracción del cristalino, y usando posteriormente el Rx necesario.

La corrección necesaria para los métodos 1º y 3º se obtiene con la siguiente fórmula:

$$\frac{R_1}{R_2} \times \Lambda = R_3$$

R_1 = Aumento encontrado para el Rx en uso en la tabla para Ametropías Refractivas.
 R_2 = Aumento encontrado para el Rx en uso en la tabla para Ametropías Axiales.
 Λ = Aumento deseado.
 R_3 = Rx necesitado. Ejemplo:

ANISEICONIA

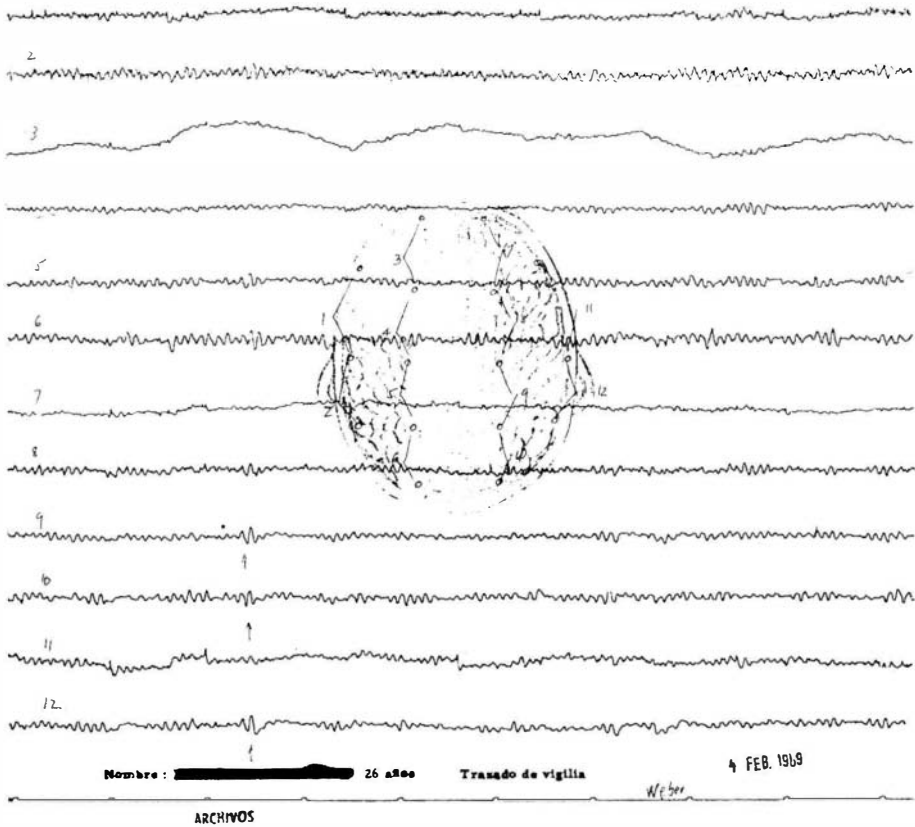


Figura No. 9

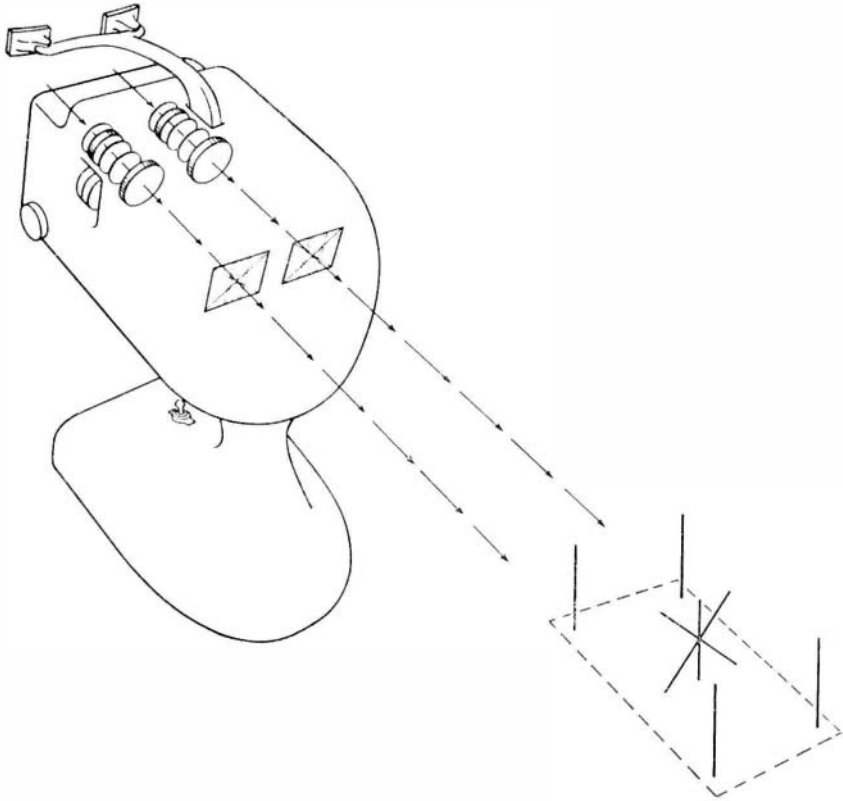


Figura No. 10

ANISEICONIA

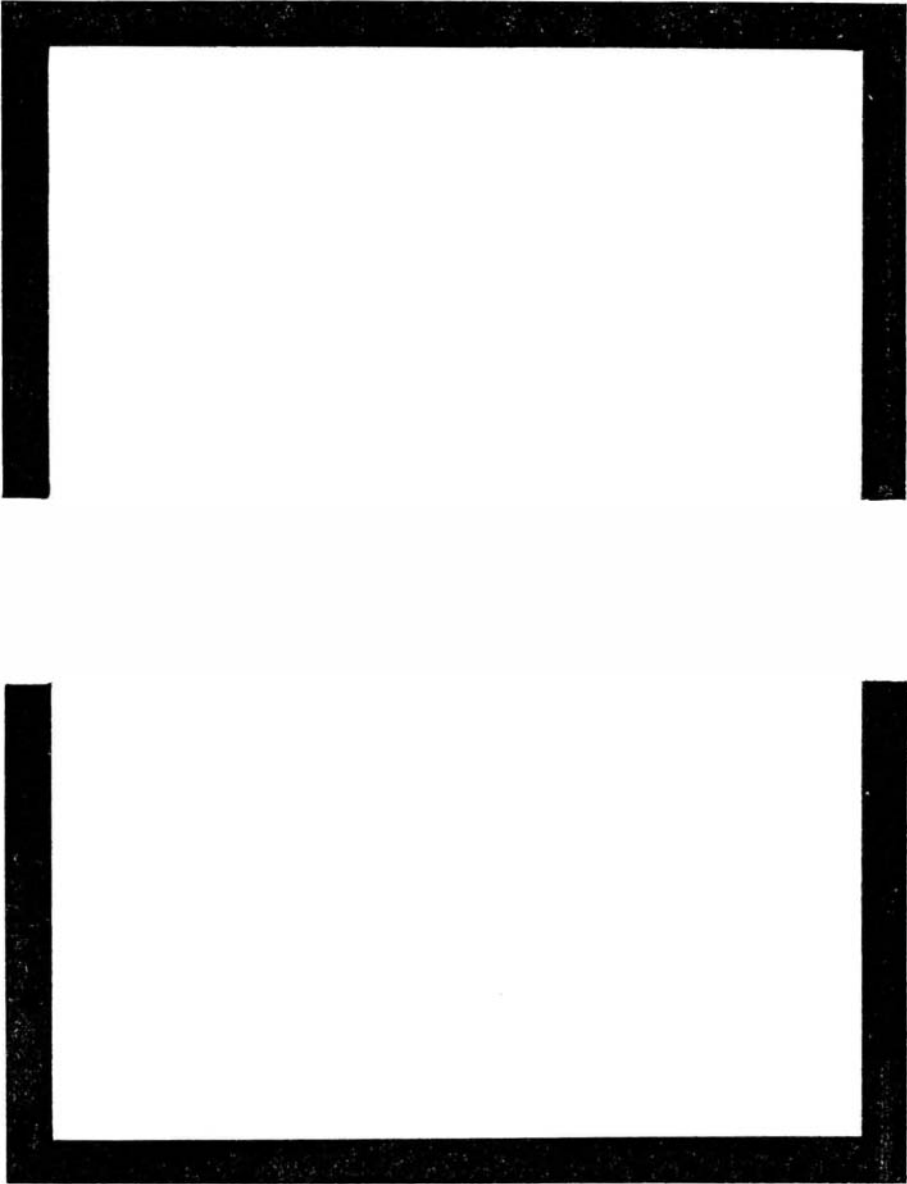


Figura No. 11

HARTMUT WEBER

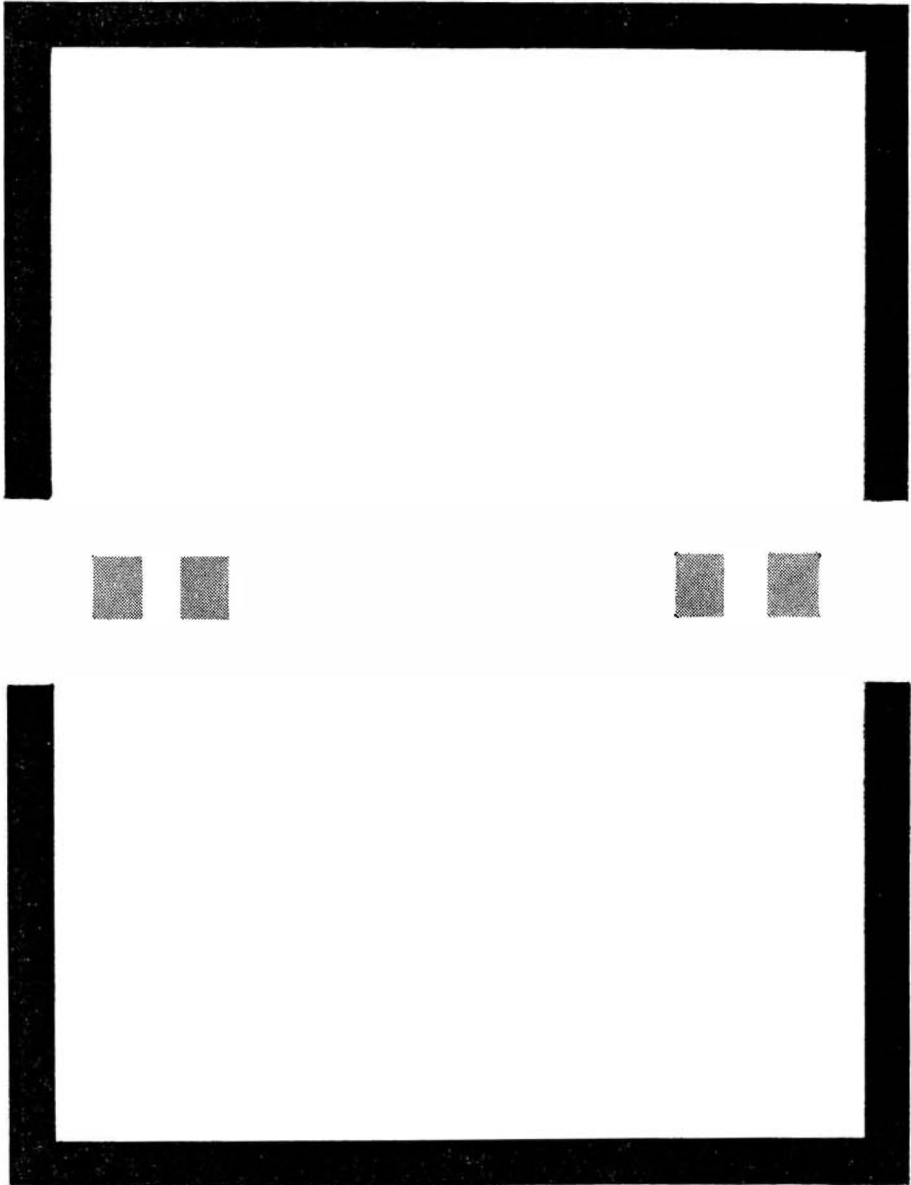


Figura No. 12

ANISEICONIA

El paciente usa en el ojo, con la imagen menor, un lente de + 5,00, en la tabla se encuentra:

$$R_1 = 1,08; R_2 = 1,01.$$

Para los factores de aumento y si el aumento requerido es del 20%, o sea, 1,20, se ve en la fórmula así:

$$R_1 \times A = R_2$$

$$\frac{1,08}{1,01} \times 1,20 = 1,28$$

Si se busca en la tabla para Ametropías Refractivas aumento de 1,28 se obtiene el poder de + 12,00 dioptrías. El poder de + 12,00 dioptrías será la corrección que debe usar el paciente a 12 milímetros del vértice corneal, al que se le crea la Ametropía en vértice correspondiente, ya sea por Lentes de Contacto o por medio de cirugía.

Para una mejor ilustración vamos a explicar el desarrollo de 3 casos muy característicos de estos estrabismos por aniseiconias:

Primer caso: Paciente de 10 años de edad, consulta por estrabismo convergente. El estado refractivo que se encuentra es el siguiente:

$$\begin{aligned} \text{O. D.} &+ 6,00 (-0,75 \times 180) \text{ V: } 0,50 \\ \text{O. I.} &+ 7,50 (-1,50 \times 175) \text{ V: } 0,50 \end{aligned}$$

El paciente se queja con esta corrección de diplopia y se hace tratamiento de Ortóptica con el cual no mejora. Posteriormente se le practica una Re-troinserción del Recto Medio Derecho de 5 mm., y una miotomía del Oblicuo Inferior Izquierdo. En el post-operatorio se encuentra diplopia homónima. Al año de la cirugía el paciente continúa con Endotropía y con una fijación paramacular en el O. I., se le ordena tratamiento de Pleóptica con el cual la fijación se vuelve central, pero a los pocos meses la fijación es otra vez paramacular en la misma posición anterior. Para tratar de corregir este defecto se procedió a practicar Fotocoagulación de la zona de falsa fijación, Desde este momento el paciente tiene fijación foveal acompañada de diplopia permanente.

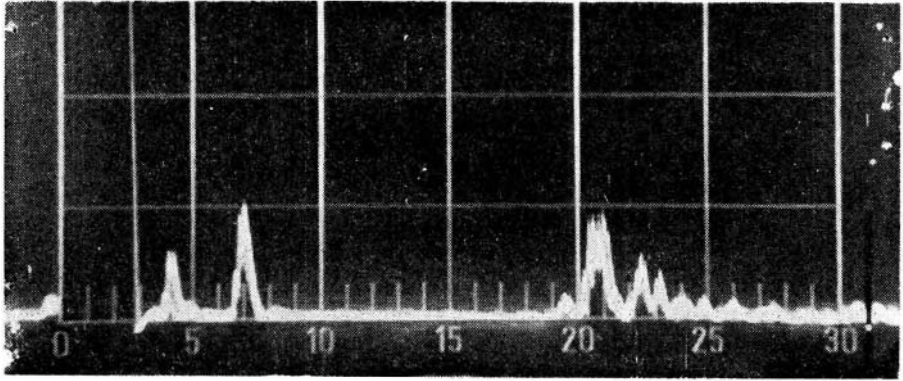


Figura No. 13

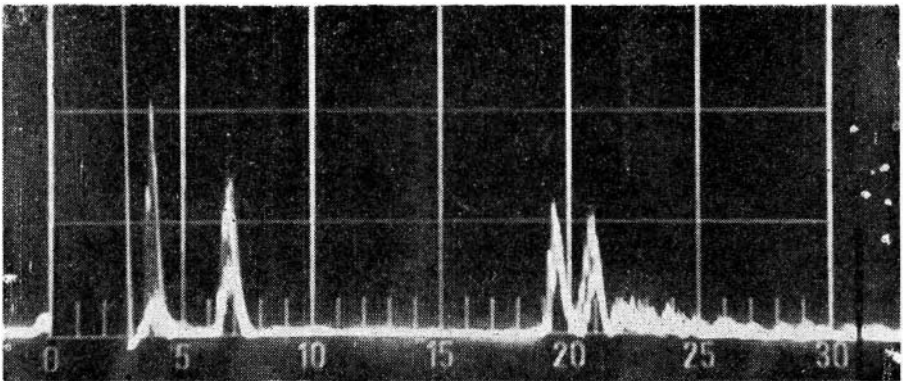


Figura No. 14

ANISEICONIA

En esta oportunidad se encuentra el Estado Refractivo así:

O. D. + 5,00 (—3,00 × 13) V: 1,00

O. I. + 5,00 (—1,50 × 180) V: 1,00

Se diagnostica Horror Fusionis y se aconseja al paciente ocluir alternativamente uno u otro ojo. Dos años más tarde se procede a explorar la aniseiconia y se comprueba una diferencia del 19,3%, imagen mayor en el O. D.

La ecografía muestra ojos sensiblemente iguales con espesor y posición del cristalino igual (ver gráficas Nos. 13 y 14). Se hace un Lente de Contacto para el ojo izquierdo (ojo con la imagen menor). La corrección óptica encima del Lente de Contacto en el O. I. es de + 12,00; en el O. D. usa + 5,00 (—3,00 × 13). Con esta corrección se obtiene fusión de 1er. grado en —15. En vista de este resultado se ordenan ejercicios de Ortóptica y después de 25 sesiones se obtiene el siguiente resultado:

Percepción periférica simultánea: Horizontal Orto. Vertical 4 hiper O. D.

Percepción central simultánea: Horizontal Orto. Vertical 4 hiper O. D.

Amplitud de fusión periférica de 12 divergencia a 15 convergencia, sin inhibición.

Amplitud de fusión macular sin inhibición.

Estereopsis de 100 sg. arco.

Cabe anotar que el paciente usaba para estos ejercicios unos anteojos con la corrección anteriormente descrita, pero con 14 dioptrías-prismáticas, base externa.

Debido a que el paciente no deseaba continuar con el lente de contacto, le fue practicada Queratomileusis en el O. I., con el fin de hipermetropizar el ojo en el grado requerido. Tres meses después de la intervención se le prescribió la siguiente corrección:

O. D. + 5,00 (—3,00 × 15) 7 pr. base externa V: 1,00

O. I. + 11,50 (—2,50 × 50) 7 pr. base externa V: 1,00

Con esta corrección el paciente alcanzaba fusión de 1º, 2º y 3er. grado. El Electro-retinograma y el Electroencefalograma mostraron anomalías (ver gráficas Nos. 15 y 16).

HARTMUT WEBER

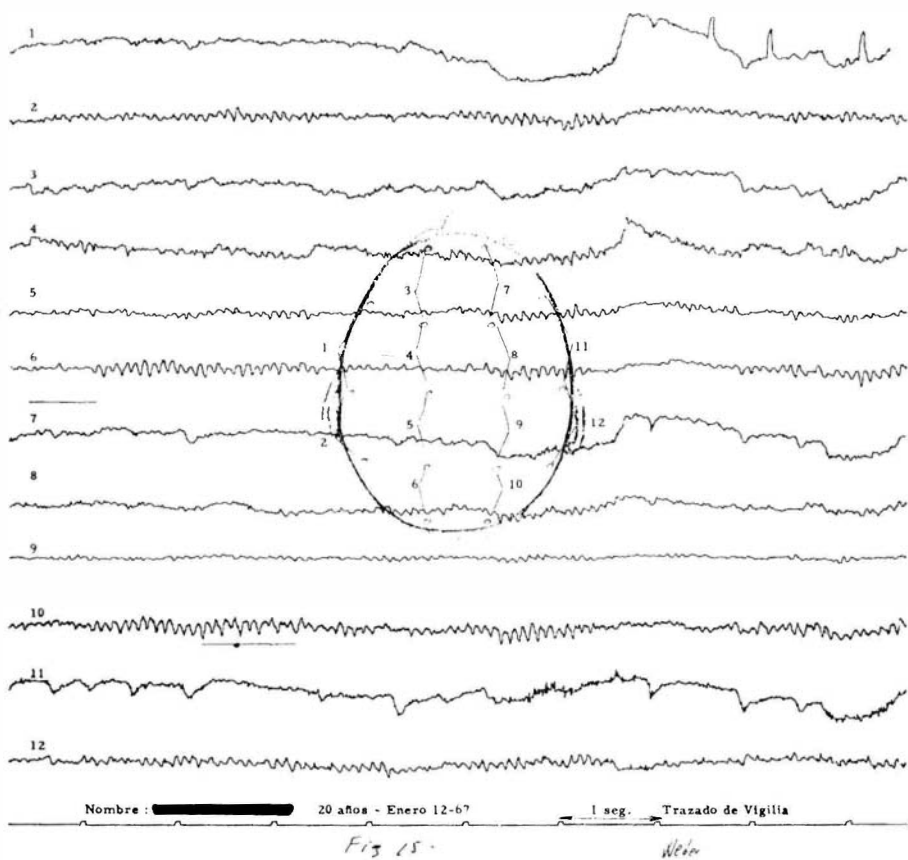
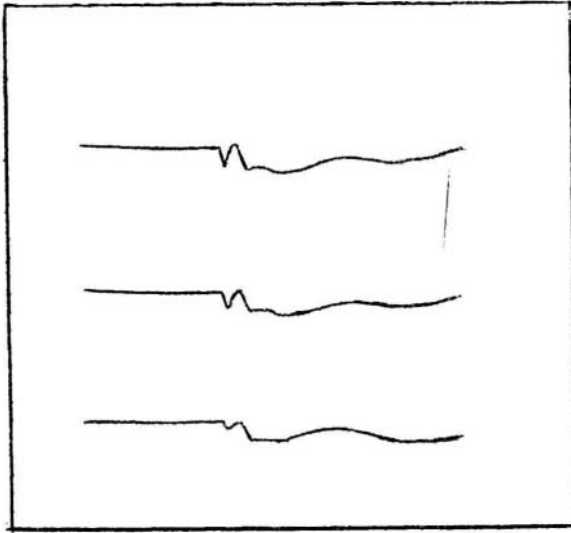
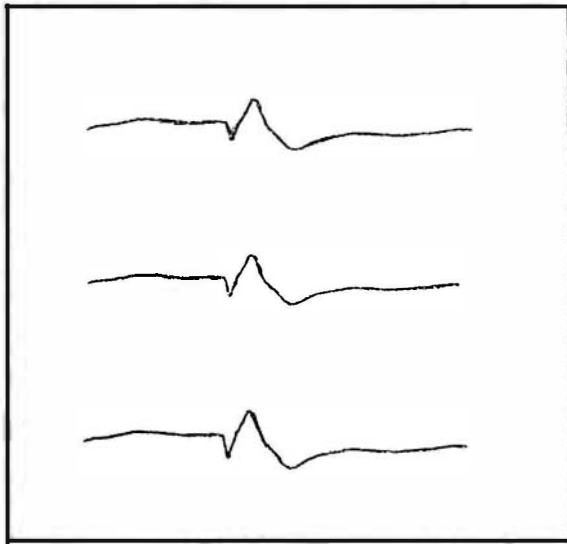


Figura No. 15

ANISEICONIA



OD



OI

Figura No. 16

INTERPRETACION

Electroencefalograma de vigilia, que muestra moderadas anomalías generalizadas, con variante de ritmo alpha de 5 cps. en hemisferio derecho; registro que se activa con la prueba hiperventilatoria, y la presencia de una actividad theta generalizada. Los hallazgos son compatibles con perturbaciones funcionales disríticas e hiperceptibilidad Neuronal.

Electro-retinograma obtenido sin dilatación pupilar con ojos adaptados a la luz y oscuridad, con estímulos aislados y repetidos con respuestas asimétricas del potencial de acción Retinográfico, por menores voltajes en el O. I. de sus fases fotópicas y escotópicas.

El registro simultáneo Electro-retinoencefalográfico reveló un potencial occipital evocado, bilateral con características normales.

Segundo caso: Paciente que consulta a la edad de 13 años por miopía astigmática-anisométrica y estrabismo divergente.

En la fecha se encuentra el siguiente Rx óptico:

O. D. —9,50 (—2,50 × 30) V: 0,45

O. I. —5,00 (—3,00 × 140) V: 0,80

Esta vez el ángulo estrábico es de + 22 grados. Se prescriben Lentes de Contacto y a los 6 meses regresa porque con los mismos, su estrabismo se le ha vuelto convergente. Ahora se hace control aniseicónico y se encuentra, que la imagen mayor es del O. D. con los Lentes de Contacto (ojo no dominante); y con la corrección corriente la imagen mayor es del ojo izquierdo.

En vista de esto se prescribe corrección aniseicónica, así:

.....I. D. Lente de Contacto — encima neutro.

O. I. —5,00 (—3,00 × 140)

A los 3 meses de usar esta corrección el paciente vuelve a control y está en Ortoforia. Este caso demuestra muy claramente lo expuesto al principio, que cuando la imagen mayor está en el ojo dominante se produce estrabismo divergente y cuando está en el ojo no dominante, se produce estrabismo convergente.

Tercer caso: Paciente acude a consulta porque desde hace 3 días desvía el O. I. Presenta Sarampión en evolución. El examen muestra Endotropia de 15 grados con buena alternancia. Pruebas de aniseiconia son positivas. La

ANISEICONIA

Sea	Latitud	Método de extracción	Permisión, oficina y número de extracción	Correspondencia de la muestra	Información analítica	Características de la muestra	Observaciones	Fecha de extracción	Estado de conservación	Observaciones
1.	-20°	0	01-21,00 (-1,70 x 25) 711,00	ANISEIC	10,95	01-21,00 (-1,70 x 25) 711,00	Normal	1, 11 y 111 grado	100	1, 11 y 111 grado
2.	-12°	2	01-11,25 (-1,25 x 10) 711,00	ANISEIC	10%	01-11,25 (-1,25 x 10) 711,00	Normal	1, 11 y 111 grado	100	1, 11 y 111 grado
3.	-10°	3	01-11,25 (-1,25 x 10) 711,00	ANISEIC	10%	01-11,25 (-1,25 x 10) 711,00	Normal	1, 11 y 111 grado	100	1, 11 y 111 grado
4.	-10°	1	01-11,25 (-1,25 x 10) 711,00	ANISEIC	10%	01-11,25 (-1,25 x 10) 711,00	Normal	1, 11 y 111 grado	100	1, 11 y 111 grado
5.	-10°	1	01-11,25 (-1,25 x 10) 711,00	ANISEIC	10%	01-11,25 (-1,25 x 10) 711,00	Normal	1, 11 y 111 grado	100	1, 11 y 111 grado
6.	-10°	1	01-11,25 (-1,25 x 10) 711,00	ANISEIC	10%	01-11,25 (-1,25 x 10) 711,00	Normal	1, 11 y 111 grado	100	1, 11 y 111 grado
7.	-10°	1	01-11,25 (-1,25 x 10) 711,00	ANISEIC	10%	01-11,25 (-1,25 x 10) 711,00	Normal	1, 11 y 111 grado	100	1, 11 y 111 grado
8.	-10°	1	01-11,25 (-1,25 x 10) 711,00	ANISEIC	10%	01-11,25 (-1,25 x 10) 711,00	Normal	1, 11 y 111 grado	100	1, 11 y 111 grado
9.	-10°	1	01-11,25 (-1,25 x 10) 711,00	ANISEIC	10%	01-11,25 (-1,25 x 10) 711,00	Normal	1, 11 y 111 grado	100	1, 11 y 111 grado
10.	-10°	2	01-11,25 (-1,25 x 10) 711,00	ANISEIC	10%	01-11,25 (-1,25 x 10) 711,00	Normal	1, 11 y 111 grado	100	1, 11 y 111 grado
11.	-10°	2	01-11,25 (-1,25 x 10) 711,00	ANISEIC	10%	01-11,25 (-1,25 x 10) 711,00	Normal	1, 11 y 111 grado	100	1, 11 y 111 grado
12.	-10°	1	01-11,25 (-1,25 x 10) 711,00	ANISEIC	10%	01-11,25 (-1,25 x 10) 711,00	Normal	1, 11 y 111 grado	100	1, 11 y 111 grado

ANISEICONIA

Nº	ángulo de precesión axial	número de curvas calculadas	Corrección, época y precisión	Corrección matemática	Corrección astronómica	Corrección astronómica con corrección matemática	Corrección astronómica con corrección matemática	Corrección astronómica con corrección matemática
27.)	+23°	1	00 -4,50 01 -1,00	00 -4,50 01 -1,00	105 01 -1,00	00 -4,50 01 -1,00	00 -4,50 01 -1,00	2, VI y VII grado
28.)	-12°	2	00 -5,30 (-0,70x10) 01 -4,00 (-0,30x10)	00 -5,30 (-0,70x10) 01 -4,00 (-0,30x10)	117 01 -1,00	00 -5,30 (-0,70x10) 01 -4,00 (-0,30x10)	00 -5,30 (-0,70x10) 01 -4,00 (-0,30x10)	1, grado
29.)	017°	1	00 -0,25 (-0,70x10) 01 -0,50 (-1,20x10)	00 -0,25 (-0,70x10) 01 -0,50 (-1,20x10)	065 01 -1,00	00 -0,25 (-0,70x10) 01 -0,50 (-1,20x10)	00 -0,25 (-0,70x10) 01 -0,50 (-1,20x10)	Sección de línea de no se puede más cuando la línea de no se puede más de los días.
30.)	+7°	2	00 -0,25 (-0,70x10) 01 -0,50 (-1,20x10)	00 -0,25 (-0,70x10) 01 -0,50 (-1,20x10)	065 01 -1,00	00 -0,25 (-0,70x10) 01 -0,50 (-1,20x10)	00 -0,25 (-0,70x10) 01 -0,50 (-1,20x10)	Sección de línea de no se puede más cuando la línea de no se puede más de los días.
31.)	+20°	2	00 -4,25 (-0,70x10) 01 -4,00	00 -4,25 (-0,70x10) 01 -4,00	105 01 -1,00	00 -4,25 (-0,70x10) 01 -4,00	00 -4,25 (-0,70x10) 01 -4,00	No se hizo
32.)	+10°	2	00 -0,25 (-0,70x10) 01 -0,50	00 -0,25 (-0,70x10) 01 -0,50	065 01 -1,00	00 -0,25 (-0,70x10) 01 -0,50	00 -0,25 (-0,70x10) 01 -0,50	No se hizo
33.)	-20°	1	00 -0,25 (-0,70x10) 01 -0,50	00 -0,25 (-0,70x10) 01 -0,50	065 01 -1,00	00 -0,25 (-0,70x10) 01 -0,50	00 -0,25 (-0,70x10) 01 -0,50	No se hizo
34.)	-25°	1	00 -1,00 (-1,00x10) 01 -2,50 (-1,20x10)	00 -1,00 (-1,00x10) 01 -2,50 (-1,20x10)	065 01 -1,00	00 -1,00 (-1,00x10) 01 -2,50 (-1,20x10)	00 -1,00 (-1,00x10) 01 -2,50 (-1,20x10)	No se hizo
35.)	-20°	1	00 -0,25 (-0,70x10) 01 -0,50	00 -0,25 (-0,70x10) 01 -0,50	065 01 -1,00	00 -0,25 (-0,70x10) 01 -0,50	00 -0,25 (-0,70x10) 01 -0,50	No se hizo
36.)	+10°	2	00 -0,25 (-0,70x10) 01 -0,50	00 -0,25 (-0,70x10) 01 -0,50	065 01 -1,00	00 -0,25 (-0,70x10) 01 -0,50	00 -0,25 (-0,70x10) 01 -0,50	No se hizo
37.)	+5°	2	00 -1,00 (-1,00x10) 01 -0,25 (-0,25x10)	00 -1,00 (-1,00x10) 01 -0,25 (-0,25x10)	065 01 -1,00	00 -1,00 (-1,00x10) 01 -0,25 (-0,25x10)	00 -1,00 (-1,00x10) 01 -0,25 (-0,25x10)	No se hizo
38.)	-10°	2	00 -0,25 (-0,25x10) 01 -0,50 (-0,50x10)	00 -0,25 (-0,25x10) 01 -0,50 (-0,50x10)	065 01 -1,00	00 -0,25 (-0,25x10) 01 -0,50 (-0,50x10)	00 -0,25 (-0,25x10) 01 -0,50 (-0,50x10)	No se hizo
39.)	-15°	2	00 -1,00 (-1,00x10) 01 -0,25 (-0,25x10)	00 -1,00 (-1,00x10) 01 -0,25 (-0,25x10)	065 01 -1,00	00 -1,00 (-1,00x10) 01 -0,25 (-0,25x10)	00 -1,00 (-1,00x10) 01 -0,25 (-0,25x10)	No se hizo

118

HARTMUT WEBER

imagen mayor es del O. D. Diferencia aniseiconia del 10%. Refracción cicloplégica, así:

O. D. + 2,50 ($-0,75 \times 180$) V: 1,00

O. I. + 2,50 ($-0,75 \times 180$) V: 1,00

Fue tratado con Gamaglobulina, Ledermicina y Romilar. Tres meses después en un nuevo control se comprueba Ortoforia y negatividad en las pruebas de aniseiconia.

Este caso parece indicar claramente la etiología viral de la aniseiconia y la aniseicónica del estrabismo y que en este caso parece ser, fueron reversibles gracias al tratamiento precoz instaurado.

A continuación presentamos un cuadro que reúne 39 casos de estrabismo con ausencia de Correspondencia Retinal y presencia de aniseiconia.

VII. RESUMEN

Se llama la atención sobre la importancia del estudio de la aniseiconia en todos los casos de estrabismo, especialmente en aquellos con ausencia de Correspondencia Retinal.

Se puede sospechar la aniseiconia central o de transmisión en los siguientes casos:

1º Estrabismo con ojos de igual refracción en los cuales los globos oculares son de igual tamaño, los cristalinos de igual espesor y de igual posición, las córneas con las mismas curvaturas y espesor.

2º Cuando se presenta frente al troposcopio fenómeno de salto.

3º En las Astenópias que no han mejorado con los tratamientos habituales.

4º Cuando los estudios Electroencefalográficos y Electro-retinográficos son positivos.

Encontramos en muchos casos que estas aniseiconias tienen como antecedentes clínicos enfermedades virales, traumas obstétricos o craneanos en la infancia.

ANISEICONIA

BIBLIOGRAFIA

1. **Barraquer, José I.** — Queratomileusis para la Corrección de la Miopía, Arch. Soc. Amer. Oftal. Optom., 5, 27, 1964.
2. **Barraquer, José I.** — Cálculo Queratomileusis para la Corrección de la Miopía Técnica, Arch. Soc. Amer. Optom., March 1, 1965.
3. **Boardy Clotilde D. S. c.** — Aniseikonia and dióptric elements of the eye, The Journal of the American Optometric Assosation, páginas 1085-1093.
4. **Gil del Rio.** — Optica Fisiología Clínica, Ediciones Toray, S. A., Barcelona, 1966.
5. **Haase, H.** — *Optische Anisometropie, Anisometropie des Auges und WVA* in Berlin, 1968.
6. **Herzau, W.** — Über das beidäugige Sehen bei Anisometropia and Aniseikonia, Bericht 55. Vers. der Deutschen Ophtalmologischen Gesellschaft, Heidelberg, 1949.
7. **Herzau, W., und Ogle, N. K.** — Über den Grössentunterschied der Bilder beider Augen bei symetrischer Konvergenz und seine Bedeutung, für das zweiäugige Sehen, Graefes Arch. 249 C327-368 (1937).
8. **Lyle H. W. y Lyle TK.** — Fisiología aplicada del ojo, Ediciones Toray, S. A., Barcelona.
9. **Schober, H.** — *Optische Anisometropie und WVA* in Berlin, 1968.
10. **Sole P., Alfieri R. and Serpin G.** — ERG and Funtional Ambyloplia, Clermont-Ferrand The Clinical Value Electroretinography., Symposium in Ghent, August. 1-4, páginas 127-132, 1966.
11. **Weber Hartmut.** — Aniseiconia Cortical, conferencia mensual de la Sociedad Amer. de Oftal. y Iptom. Junio, 1967.
12. **Weber Hartmut.** — Aniseiconia en estrabismo, conferencia mensual de la Sociedad Amer. de Oftal. y Optom. Junio, 1968.

Δpartado Aéreo 90420 - Bogotá, 8.

NOTICIAS

MAJOR INTERNATIONAL PLASTIC SYMPOSIUM SCHEDULED FOR NEW YORK IN AUGUST 1970

The First International Symposium on Plastic and Reconstructive Surgery of the Face and Neck will be held August 9 through 14, 1970 at the world-famous Waldorf-Astoria Hotel in New York City. The Symposium is sponsored by the American Academy of Facial Plastic and Reconstructive Surgery.

During the wee-long conference, lectures and discussions will cover the spectrum of plastic surgery—correction of congenital deformities, traumatic problems, tumor surgery of the head and neck, esthetic surgery and research.

The purely scientific program will offer a well-balanced curriculum of lectures, panel discussions, question-and-answer sessions and motion picture demonstrations.

An internationally-distinguished faculty has been invited to help stimulate the specialists' professional growth in otolaryngology, general plastic surgery, ophthalmology, maxillo-facial surgery, oral surgery and general surgery.

John Conley, M. D., of New York, is general chairman of the International Symposium.

Executive committee members are Ira J. Tresley, M. D., president of the Academy; William K. Wright, M.D.O., president-elect; Jack R. Anderson, M.D., Walter E. Berman, M. D., John T. Dickinson, M. D., Richard T. Farrior, M. D., Irving B. Goldman, M. D., Maury L. Parkes, M. D., and Richard C. Webster, M. D.

Acommodations chairman is Sidney S. Feuerstein, M. D., 860 Fifth Avenue, New York, U. S. A.; Exhibitors chairman is Maurice H. Alexander, M. D., 1301 Tabor Road, Philadelphia, Pa., 19141, U. S. A.

Note to Secretaries: The following is a list of topics that area now on the agenda of the Symposium—you may feel free to mention them in your notice to your members.

FOR RELEASE AFTER 9:00 P. M., SATURDAY, JULY 12

The newly elected leader for more than 15,000 members of the optometry profession's national association last night pledged the resources of his office to engendering a new spirit of cooperation between optometry and ophthalmology in order to deliver the highest quality of vision care to the American people.

Melvin D. Wolfberg, O. D., in his inaugural address as president of the American Optometric Association, called for an end to the opinion barriers that have long separated men in the vision care profession of optometry from those in ophthalmology, the profession of eye physicians.

"There are those who raise the issue of detection of disease and belabor it in order to divide the two professions," stated Dr. Wolfberg. "A major responsibility of optometry has been the detection of disease: it has been so in the past, it is so at the present, and it will continue to be so in the future.

"I submit to you that this is one issue which must join the two professions—not divide them—for both professions recognize the responsibility entrusted to their care."

Recognizing the frustrations associated with rising health costs, as well as the question of the taxpayers' willingness to support health services, the national spokesman for doctors of optometry believes that the revolution in health care is in a highly confused state at this time.

He also implied that the two professions concerned with providing the public with adequate vision care can ill afford to divert their energies and abilities from this most vital task:

"Optometry has evinced a growing awareness of the socio-economic and political aspects in the health care field. We have come to the realization that a position of isolationism cannot be maintained in modern society and that our future is in the direction of cooperation and coordination with other health professions as an integral part of the health care team."

Evidenced by an increase of interprofessional meetings taking place on the state level between optometrists and ophthalmologists, an improvement

in relations during recent years between optometry and medicine was noted. The Pennsylvania optometrist nonetheless called upon the vast majority of men in both professions—"the reasonable men"—to exercise restraint and moderation.

"It is optometry's intention to cooperate with all other recognized health care professions in the delivery of the highest quality health care. If the 'militants' on either side tend to dominate the policy-making organizations, then cooperation becomes impossible. Optometry can be proud of the fact that men of reason generally have been elected to positions of organizational leadership."

The new president of the AOA said the optometry profession "enjoys a stability and maturity today that would have been astounding" to envision years ago. This professional growth can be attributed in part to the "increasing awareness of our responsibilities to the public we serve," he added.

Reflecting this professional responsibility was the first item on Dr. Wolfberg's outline of objectives for the year ahead: he called for a reinforcement of optometry's involvement in planning for the effective delivery of high quality optometric care to the urban areas of this country.